

NSB 190FT Red Battery®

Long float life at elevated temperatures



Red Star Technology® uses pure lead plates to deliver exceptionally long float life even at elevated temperatures.

- Pure lead AGM technology delivers long float life for telecom applications even at elevated temperatures
- 15 year float life at 20°C (68°F)
- EUROBAT design life definition: Long Life (12+ years)
- High energy density
- Operating temperature range: -40°C to +65°C (-40°F to 149°F)
- State-of-the-art automated manufacturing ensures consistency and reliability
- Advanced 3 stage terminal design to ensure leak-free operation - female M8 brass terminals provide maximum performance
- 2 year shelf life at 25°C (77°F)
- High modulus Polyphenylene Oxide (PPO) plastic materials designed to withstand extended elevated operating temperatures and maintain high battery compression essential for reliable operation
 - Non-halogenated, thermally sealed plastic casing
 - Flame retardant (UL 94 VO) and LOI of at least 28%
- Integral handles and front access terminals ensure ease of installation and maintenance
- Approved as non-hazardous cargo for ground, sea, and air transport - DOT 49CFR173.159(d), (i) and (ii)

Visit our website to find out more www.northstarbattery.com



NSB 190FT Red Battery®

Nominal Technical Specifications



Electrical

	International Standard 20°C (68°F)	North American Standard 25°C (77°F)
8 hour capacity to 1.75 VPC	188 Ah	191 Ah
10 hour capacity to 1.80 VPC	191 Ah	193 Ah
Float Voltage	2.29 +/- 0.02 VPC	2.27 +/- 0.02 VPC
Nominal Voltage	12 V	
Impedance [1kHz]	2.6 mΩ @ 25°C (77°F)	
Conductance	2,041 S	
Short Circuit Current	6,000 A	

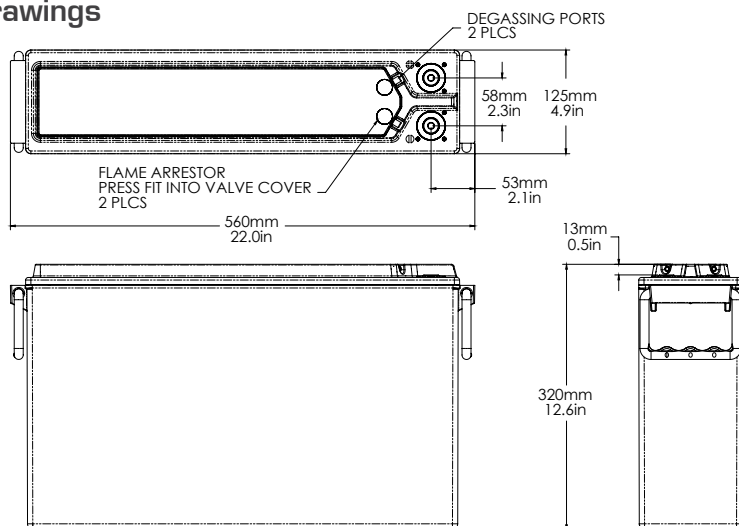
Dimensions

Height	320 mm (12.6 in)	Weight	60 kg (132 lbs)
Width	125 mm (4.9 in)	Terminal	Female M8 x 1.25
Depth	560 mm (22.0 in)	Terminal Torque	8.0 Nm (71 in-lbs)

Ah Capacity Ratings @ 25°C (77°F)

Capacity Discharge / hours	1	2	4	8	10
Capacity @ 25°C / Ah	150	167	181	191	192
End of Discharge / VPC	1.70	1.75	1.75	1.75	1.80

Drawings



All NorthStar batteries are compliant with: Telcordia SR4228, IEC 60896; Bellcore GR-63-Core, Issue 1; British, German, and Russian telecom standards; UL approved. NorthStar is registered to ISO 9001 and ISO 14001.

NorthStar Americas

NorthStar Battery Company LLC
4000 Continental Way
Springfield, MD, 65803,
United States of America
info@northstarbattery.com
Tel: +1 417 575 8200
Fax: +1 417 575 8250

NorthStar Europe

SiteTel Sweden AB
Staffans Väg 8
SE-192 07 Sollentuna,
Stockholm, Sweden
europe@northstarbattery.com
Tel: +46 8 410 102 00
Fax: +46 8 638 06 00

NorthStar Middle East, Africa

SiteTel Sweden AB JTL Branch
Office 702, Saba 1 Tower
Jumeirah Lake Towers, Dubai
United Arab Emirates
mea@northstarbattery.com
Tel: +971 4 423 8060
Fax: +971 4 423 8061

NorthStar Asia-Pacific

NS Asia Pacific Sdn. Bhd.
B2-3A-13A, Solaris Dutamas
No. 1, Jalan Dutamas 1, 50480
Kuala Lumpur, Malaysia
asia@northstarsitetel.com
Tel: +60 3 6419 0711

www.northstarbattery.com

