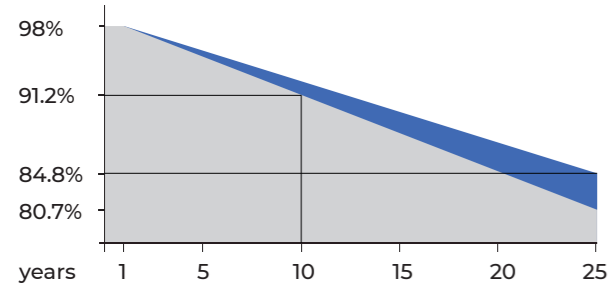


100W Rigid Solar Panel

FC 10 CE IP68

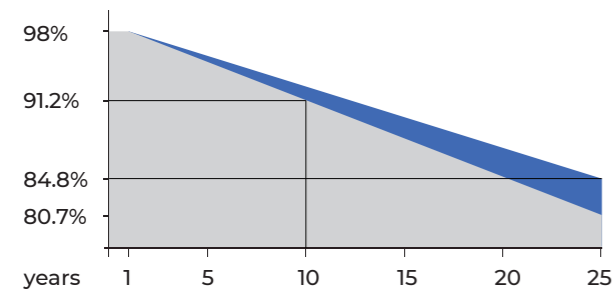
- 23% industry-leading solar conversion for fast charging
- Sleek black design offers pleasing aesthetics
- IP68 waterproof and all-weather protection
- Easy to install with pre-drilled holes
- Robust build for durability
- Wide compatibility
- 5-year warranty



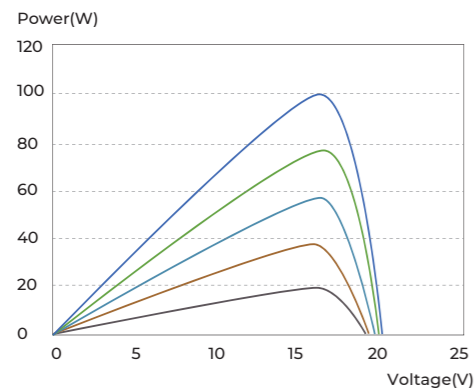
400W Rigid Solar Panel

CE IP68

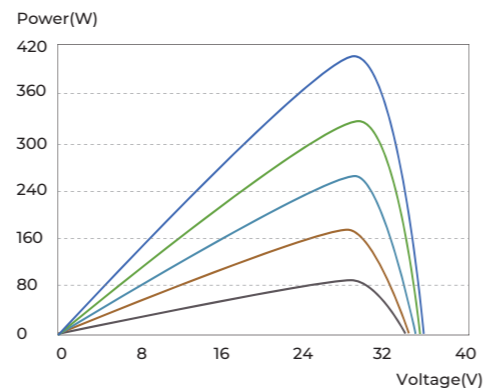
- 23% industry-leading solar conversion for fast charging
- Sleek black design offers pleasing aesthetics
- IP68 waterproof and all-weather protection
- Easy to install with pre-drilled holes
- TÜV-certified durability
- Wide compatibility
- 10-year warranty



IV Curves



100W Rigid Solar Panel



400W Rigid Solar Panel

Module Type

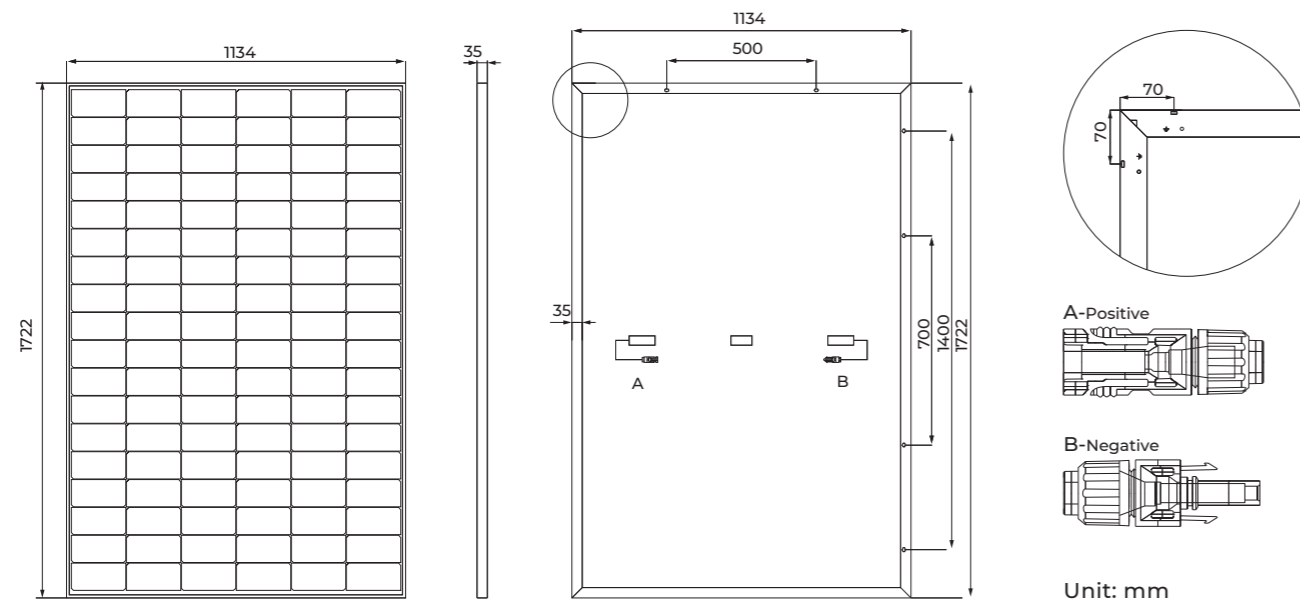
	100W Rigid Solar Panel	400W Rigid Solar Panel
Efficiency(%)	23%	23%
Rated Power	100W (+/-5W)	400W (+/-12W)
open circuit voltage voc(V)	20.3 V	37.10 V (±3%)
short circuit current(A)	6.3 A	13.79 A (±5%)
maximum operating voltage(V)	17.1 V	31 V
maximum operating current(A)	5.9 A	12.9 A
cell type(mm)	Monocrystalline silicon PERC 100% EL tested	Monocrystalline silicon PERC 100% EL tested
Number of cells(pcs)	2 pcs	2pcs
maximum system voltage(V)	600 VDC (UL)	1500 VDC (UL)
Temp.Coeff.of Open Circuit Voltage (%/°C)	-0.33 %/°C	-0.35 %/°C
Temp.Coeff.of Short Circuit Current (%/°C)	0.06 %/°C	0.06 %/°C
Temp.Coeff.of Rated Power (%/°C)	-0.39 %/°C	-0.38 %/°C
Recommended Operating Temperature(°C)	-20 to 50°C	-20 to 50°C
Maximum Fuse Current(A)	15 A	25 A
Pressure Bearing(Pa)	5400pa snow load	5400pa snow load
Wind Bearing(Pa)	2400Pa	2400Pa

* Standard Test Conditions: 1000 W/m²(92.9W/ft²), AM1.55, 25°C (77°F)

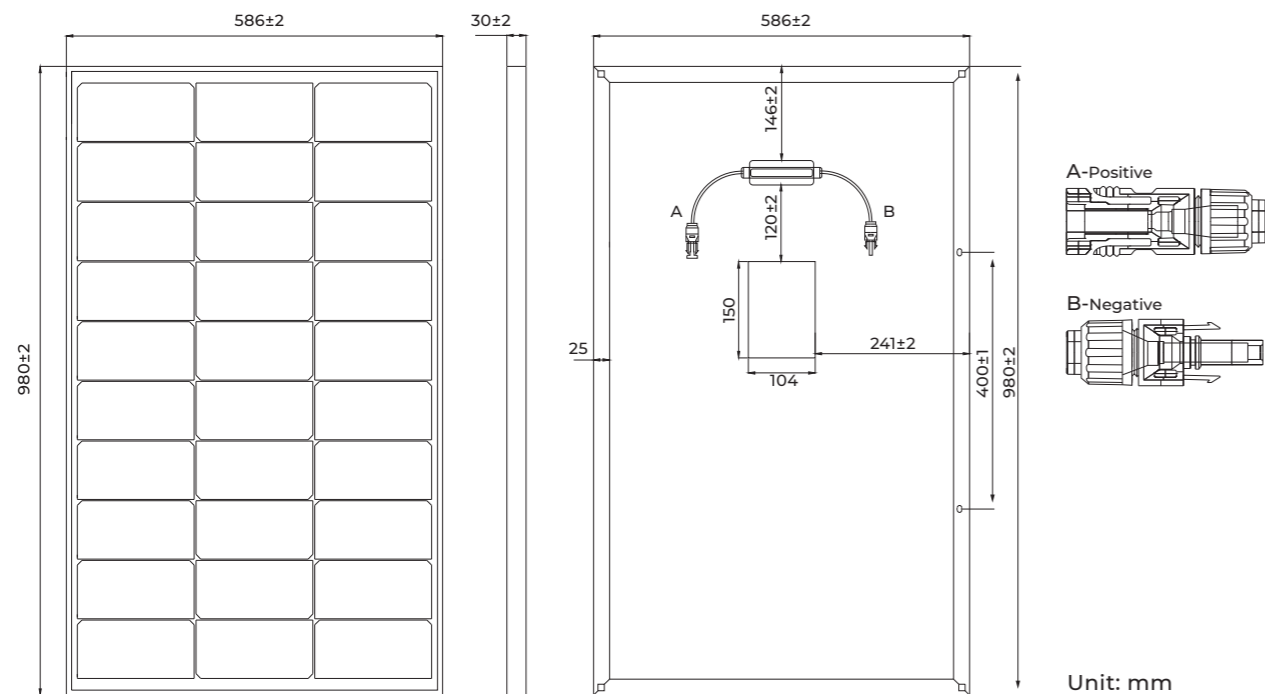
Packing Details

Dimension	980x586x30 mm (38.6x23.1x1.2 in)	1722x1134x35 mm (67.8x44.6x1.38 in)
Weight	Approx. 6.2kg (13.7 lb)	Approx. 21.8kg (48.1 lb)

400W Rigid Solar Panel Engineering Drawings



100W Rigid Solar Panel Engineering Drawings



ECOFLOW

EcoFlow 100W/400W Rigid Solar Panel

With up to 23% solar conversion, EcoFlow solar panels are highly efficient. They're also durable and weather-proof, rated IP68 for dust and water resistance. Having an output range of 100W to 400W, they've got your back in meeting various power needs for RVs, boats, off-grid builds, home emergency backup and more. For those who are seeking reliable and sustainable charging solutions, EcoFlow solar panels are the perfect fit.



<https://eu.ecoflow.com>