

Pure Lead - Long Life



99.9%
PURE LEAD

15YRS
FLOAT LIFE

PROUDLY
MADE IN THE
USA

The NSB RED Battery® delivers long life for reliable and unreliable grid conditions.

- Pure lead electrochemistry greatly increases temp and corrosion resistance, while reducing component aging
- Thin plates deliver large surface area, high power density and low resistance
- Design life 15+ years at 20°C (68°F)
- EUROBAT design life definition: Very Long Life (12+ years)
- Fast recharging
- Operating temperature range -40°C to +65°C (-40°F to 149°F)
- State-of-the-art automated manufacturing ensures consistency and reliability
- Shelf life of up to 24 months
- Advanced 3 stage terminal design to ensure leak-free operation - brass terminals provide maximum performance
- High modulus Polyphenylene Oxide (PPO) plastic materials designed to withstand extended elevated operating temperatures and maintain high battery compression essential for reliable operation
- Non-halogenated, thermally sealed plastic casing
- Flame retardant (UL 94 V0) and LOI of at least 28%
- Approved as non-hazardous cargo for ground, sea, and air transport - DOT 49CFR173.159(d), (i) and (ii)

NSB 155FT RED

Nominal Technical Specifications

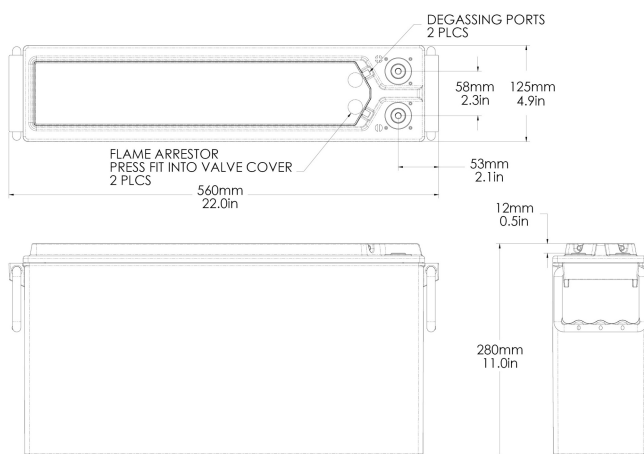
Dimensions

Height	280 mm	Width	125 mm
Length	560 mm	Weight	46 kg

Electrical

Terminal	Female M8 x 1.25
Terminal torque	8.0 Nm (71 in-lbs)
1 hr capacity to 1.70VPC @ 20/25°C (68/77°F)	106 / 110 Ah
3 hr capacity to 1.75VPC @ 20/25°C (68/77°F)	133 / 137 Ah
8 hr capacity to 1.75VPC @ 20/25°C (68/77°F)	150 / 153 Ah
10 hr capacity to 1.80VPC @ 20/25°C (68/77°F)	153 / 155 Ah
Float voltage @ 20/25°C (68/77°F)	2.28 / 2.27 VPC
Impedance (1Khz)	3.1 mΩ @ 25°C (77°F)
Conductance	1648 S
Short circuit current	4200 A
Operation temperature range	-40°C to +65°C
Nominal voltage	12 V

Technical Drawing



All NorthStar batteries are compliant with: Telcordia SR4228, IEC 60896; Bellcore GR-63-Core, Issue 1; British, German, and Russian telecom standards; UL approved and UN2800 certified. NorthStar is registered to ISO 9001 and ISO 14001.

NorthStar Americas PARTIAL
NorthStar Battery Company LLC
4000 Continental Way
Springfield, MO, 65803,
United States of America
info@northstarbattery.com
Tel: +1 417 575 8200
Fax: +1 417 575 8250

NorthStar Europe
SiteTel Sweden AB
Haukadalsgatan 8A
SE-164 40 Kista,
Stockholm, Sweden
europe@northstarbattery.com
Tel: +46 8 410 102 00
Fax: +46 8 638 06 00

NorthStar Middle East, Africa
NorthStar Battery DMCC
Office 702, Saba 1 Tower
Jumeirah Lake Towers, Dubai
United Arab Emirates
mea@northstarbattery.com
Tel: +971 4 423 8060
Fax: +971 4 423 8061

NorthStar Asia-Pacific
NS Asia Pacific Sdn. Bhd.
B2-3A-13A, Solaris Dutamas
No. 1, Jalan Dutamas 1, 50480
Kuala Lumpur, Malaysia
asia@northstarsitetel.com
Tel: +60 3 6419 0711