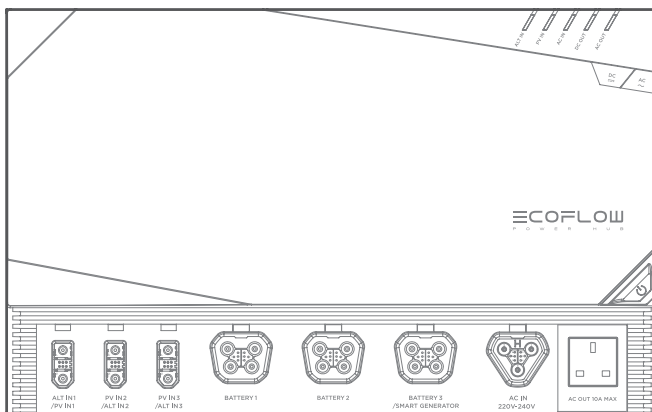


≡ COFLOW

POWER HUB

User Manual v1.2



EFM100-HUB (HV)

Disclaimer

Read this user manual carefully before using the product to ensure that you completely understand the product and can correctly use it. After reading this user manual, keep it properly for future reference. Improper use of this product may cause serious injury to yourself or others, or cause product damage and property loss. Once you use this product, it is deemed that you understand, approve and accept all the terms and content in this document. EcoFlow is not liable for any loss caused by the user's failure to use this product in compliance with this user manual.

In compliance with laws and regulations, EcoFlow reserves the right to final interpretation of this document and all documents related to this product. This document is subject to changes (updates, revisions, or termination) without prior notice. Please visit EcoFlow's official website to obtain the latest product information.

Table Of Contents

Technical Specifications	1
Safety Instructions	2
EcoFlow App	3
Getting Started	3
System Overview	3
Product Overview	5
CAN Bus Connection	6
Product Usage	8
Power On/Off	8
DC Output	8
AC Output	9
AC Charging	9
Smart Generator Charging	10
Solar Charging	10
Vehicle Alternator Charging	10
X-Boost Feature	11
Bypass Mode	12
Inverter Mode	12
Standby Mode	13
FAQs	13
What's in the Box	14
Care and Maintenance	15
FCC Statement	15

Technical Specifications

Basic Information

Net Weight	14 kg (31 lbs)
Dimensions (L × W × H)	48 cm × 14 cm × 30 cm (18.9" × 5.5" × 11.8")
Wi-Fi	Supported (<120 Meters)
Bluetooth (v4.0)	Supported (<15 Meters)

Output Spec

AC Output	Pure sine wave, 3600 W (surge 7200 W, 100 ms), 230 V, 50 Hz (Australian Version: 240 V, 50 Hz) Linear derating to 1800 W when 40°C (104°F) < Ambient Temperature < 60°C (140°F) Derating to 3000 W when battery voltage < 49 V
Maximum AC Output Supported by X-Boost	5200 W
DC Output	13.6 V 70 A, maximum power: 1000 W or 26.4 V 60 A, maximum power: 1600 W

Input Spec

AC Input Power	3000 W maximum power, 15 A maximum current, supported by EcoFlow X-Stream Technology
AC Input Voltage	220–240 V, 50 Hz/60 Hz
Alternator Input 2/3 PV Input 2/3	13–60 V 30 A, maximum power: 1600 W 15–60 V 30 A, maximum power: 1600 W
Alternator Input 1 PV Input 1	13–60 V 60 A, maximum power: 1600 W 15–60 V 30 A, maximum power: 1600 W

Battery Port Spec

Battery Port (x3)	40-60 V 100 A, supports up to three 2kWh or 5kWh LFP batteries, which are sold separately.(Not recommended to use one Power Hub with both EFM100-BPB and EFM100-BP at the same time.)
-------------------	--

Operating Environment

Operating Temperature	-25°C to 60°C (-13°F to 140°F)
Storage Temperature	-25°C to 60°C (-13°F to 140°F)

Other

EcoFlow Smart Generator	1800 W maximum charging power, sold separately.
-------------------------	---



Safety Instructions

1. SAVE THESE INSTRUCTIONS – This manual contains important safety and operating instructions
2. Before using battery charger function, read all instructions and cautionary markings on battery charger, battery, and product using battery.
3. CAUTION – To reduce risk of injury, charge only LiFePO4 type rechargeable batteries. Other types of batteries may burst causing personal injury and damage.
4. This is a Safety Class I product (supplied with a protective grounding terminal). Uninterruptible protective grounding must be provided at the AC input and/or output terminals. Alternatively, the grounding point located externally on the product may be used. Whenever it is likely that the grounding protection has been damaged, the product must be turned off and secured against unintended operation; please contact qualified service staff.
5. To prevent fire, short circuits, and electric shocks, do not install this product in environments with high humidity, high temperature, or conductive contaminants.
6. Before installing this product, disconnect the main power supply. Do not work with live power.
7. Keep this product away from heat sources, such as fires or heating furnaces.
8. Keep this product away from any liquid. Do not immerse this product in water or get it wet. Do not use this product in rain or humid environments.
9. Do not use this product in environments with strong static electricity or magnetic fields.
10. Do not disassemble this product in any way or pierce it with sharp objects.
11. Do not use wires or other metal objects that may result in a short circuit.
12. Do not use unofficial components or accessories. If components or accessories need to be replaced, purchase them from the EcoFlow official sales channels.
13. Strictly comply with the ambient temperature for use in this user manual when using this product.
14. Do not stack other heavy objects on this product.
15. Do not forcibly block the fan during product use or place the product in an unventilated or dusty area.
16. Please avoid impact, falls, or severe vibrations when using the product. In case of a severe external impact, turn off the power supply immediately and stop using the product. Ensure the product is well fastened during transportation to avoid vibrations and impacts.
17. If the product falls into water accidentally during use, place it in a safe open area and stay away from it until it is completely dry. The dried product cannot be reused, and should be properly disposed according to the method described in the EcoFlow Battery User Manual. If the product catches fire, we recommend that you use the fire extinguishers in the following order: water or water mist, sand, fire blanket, dry powder, and carbon dioxide fire extinguisher.
18. If there is dirt on the ports of the product, clean it with a dry cloth.
19. Place this product carefully to prevent damage caused by the product falling over. If the product falls over and is seriously damaged, power it off immediately.
20. Keep this product out of reach of children and pets.

EcoFlow App



Control, monitor and customize your Power Kits from afar with the EcoFlow App. Download at:

<https://download.ecoflow.com/app>

Privacy Policy

By using EcoFlow Products, Applications and Services, you consent to the EcoFlow Term of Use and Privacy Policy, which you can access via the "About" section of the "User" page on the EcoFlow App or on the official EcoFlow website at <https://www.ecoflow.com/policy/terms-of-use> and <https://www.ecoflow.com/policy/privacy-policy>



1. The product Bluetooth can only be connected with one account, if you want to use another account, please reset Bluetooth via the EcoFlow App or long pressing the DC button on the product for 3 seconds.
2. This product **ONLY SUPPORTS 2.4GHz WiFi**.

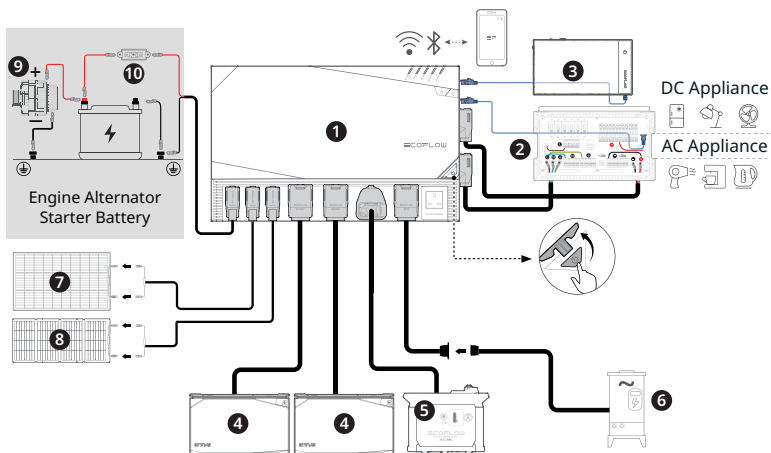
Getting Started

System Overview

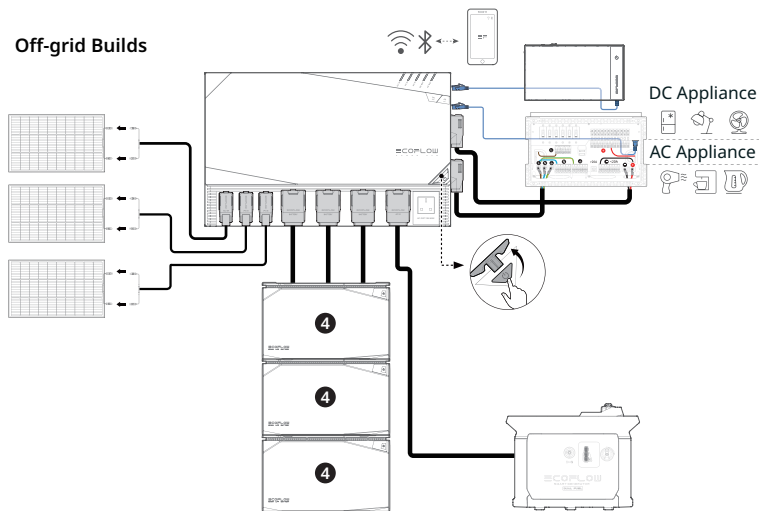


1. If the product is installed in an enclosed space, proper ventilation is a **MUST** to prevent this product from overheating.
2. For safety reasons, it is recommended to install a Ground Fault Circuit Interrupter (GFCI), also known as Residual Current Device (RCD) in the AC input and AC output of the Power Hub. Please refer to local regulations regarding grounding of autonomous power systems.
3. Before connecting this product to EcoFlow LFP Battery, ensure that there is no charging input connected to Power Hub and LFP Battery is powered off.
4. It is not recommended to use one Power Hub with both EFM100-BPB and EFM100-BP at the same time.
5. It is not recommended to connect or disconnect LFP battery when the system is on.

Vehicles



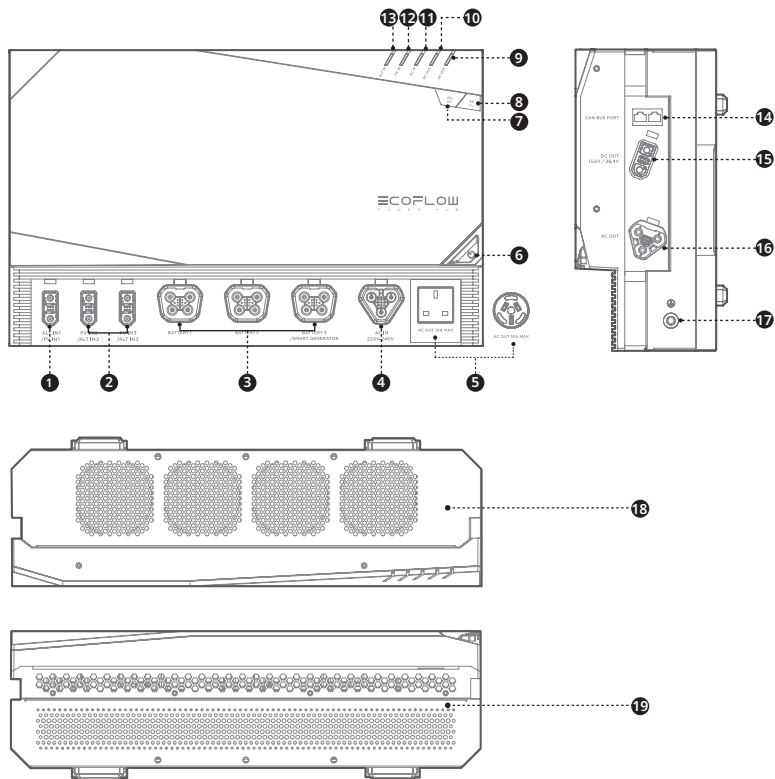
Off-grid Builds



1. EcoFlow Power Hub
2. AC/DC Smart Distribution Panel
3. Power Kit Console
4. EcoFlow 2kWh/5kWh LFP Battery
5. EcoFlow Smart Generator

6. Shore Power/Grid Power
7. Rigid/Flexible Solar Panel
8. Foldable / Portable Solar Panel
9. Vehicle Alternator
10. Fuse-100A (Not included)

Product Overview



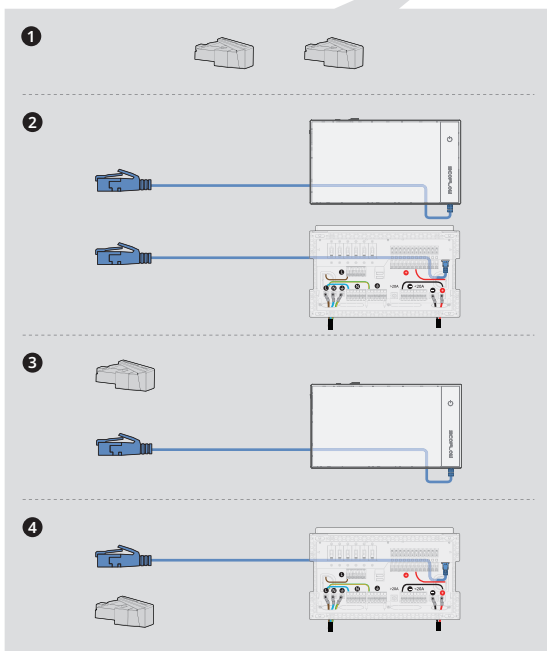
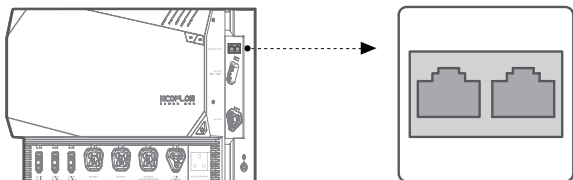
1. ALT IN / PV IN 1 Port
2. PV IN / ALT IN 2/3 Port
3. Battery 1/2/3 Port /
Smart Generator Port
4. AC IN Port
5. AC OUT Port (10A)
(British Version /
Australian Version)

6. Main Power Button
7. DC OUT Button
8. AC OUT Button
9. AC Out Indicator
10. DC Out Indicator
11. AC IN Indicator
12. PV IN Indicator
13. ALT IN Indicator

14. RJ45 CAN Bus Ports
15. DC Main OUT Port
16. AC Main OUT Port
17. Earth Stud
18. Air Outlet
19. Air Inlet

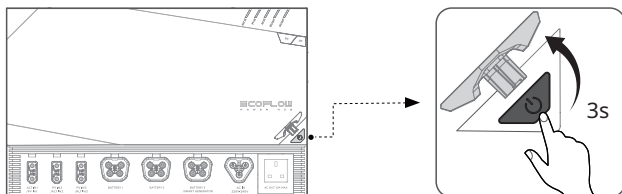
CAN Bus Connection

To ensure communication quality, this product comes with two RJ45 CAN Bus ports, each port can be connected to AC/DC Smart Distribution Panel, Power Hub Console, or RJ45 CAN bus terminator. **Both ports MUST be connected to stabilize communication throughout the system. Not doing so will cause the system to malfunction.**



Product Usage

Power On / Off



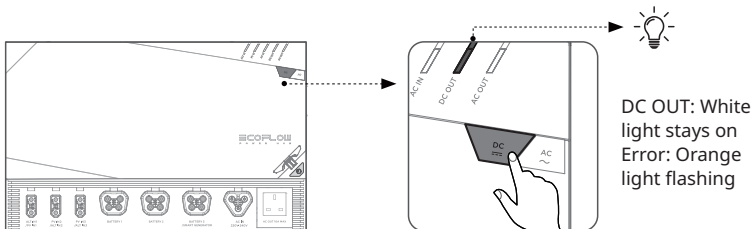
	Status Indicators (Top right corner)	Main Power Indicator
Power-on	Five indicators illuminated in a sequence from left to right	Breathing
Power-off	Five indicators flash 3 times and stay off.	Off



1. Please wait 5 seconds to let the system completely shut down before further operation after pressing the main power button.
2. Ensure that there is no charging input connected to the Power Hub before shutting down the Power Kits.

DC Output

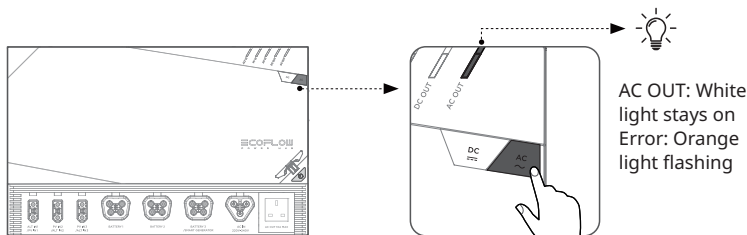
When the power is on, short press the DC button to enable DC Output. To disable DC Output, short press the DC button.



AC Output

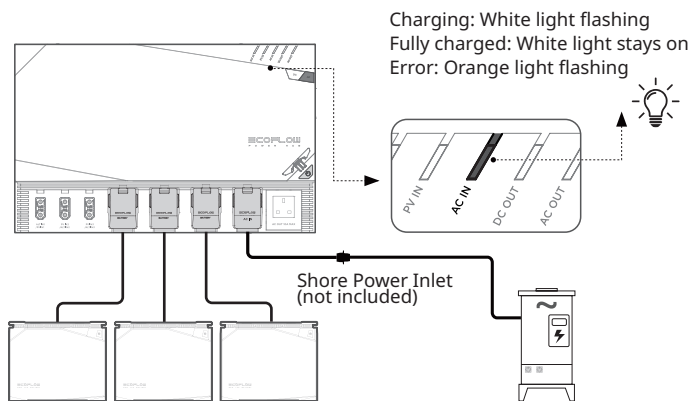
When the power is on, short press the AC button to enable AC Output. To disable AC Output, short press the AC button again.

When Power Hub is in idle mode, please turn off AC Output to avoid power loss.



AC Charging

The EcoFlow Power Hub features EcoFlow fast charging technology X-Stream. The maximum AC charging power is 3000 W and the maximum AC charging current is 15 A. User can adjust the charging current via EcoFlow App or Power Kit Console. The default charging current is 10 A.



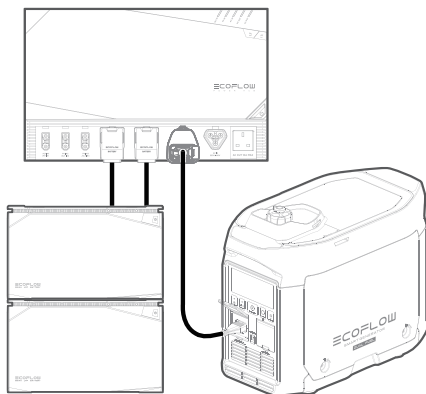
EcoFlow is not liable for damage caused by the use of charging cables not provided by EcoFlow.

Smart Generator Charging

The Power Kits can be recharged by using different cables connected to the AC or DC output of the EcoFlow Smart Generator.

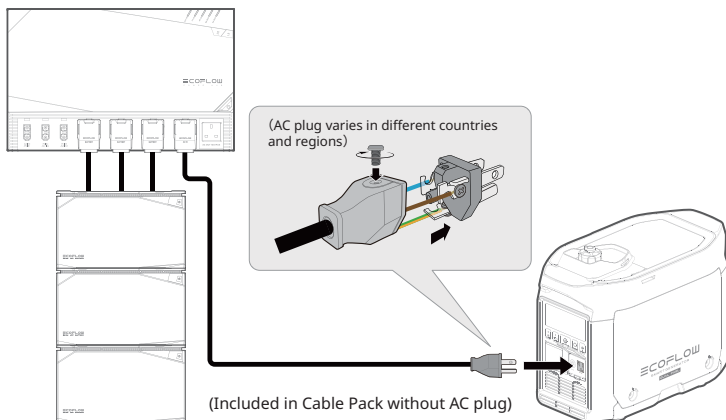
DC Charging

Connect EcoFlow Smart Generator to the Power Hub with the Smart Generator Charging Cable (Smart Generator, DC charging cable and adapter are sold separately).



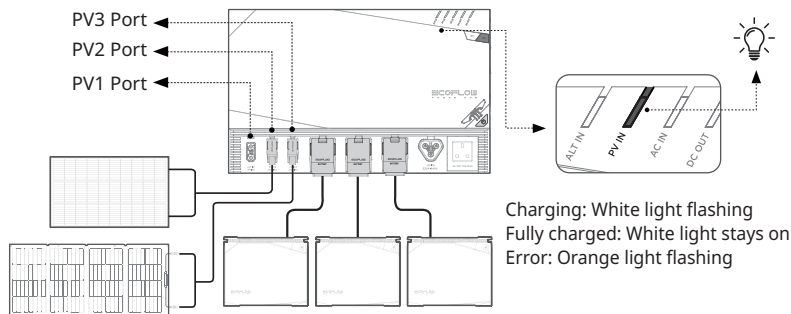
AC Charging

Connect EcoFlow Smart Generator to the Power Hub with the AC Charging Cable.



Solar Charging

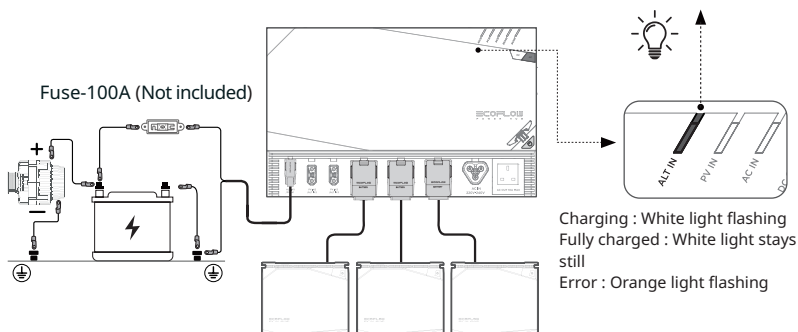
The Power Hub has three PV (Photovoltaic) input ports, with a total power of 4800 W for the three ports and 1600 W for each port. Any brand of solar panel can be used as long as it meets the specifications of the solar charging input. For EcoFlow 100w rigid or flexible solar panel, up to 6S3P can be connected to each port, for EcoFlow 400w rigid solar panel, up to 4S1P or 2S2P can be connected to each port, for EcoFlow 400w foldable solar panel, up to 3S1P or 2S2P can be connected to each port. (S: series, P: parallel)



Vehicle Alternator Charging

The Power Hub has three alternator charging input which supports 12V, 24V or 48V alternator. Each port will draw 1600W Max, The max charging current of ALT IN1 Port is 60 A, while the other two is 30 A. Only ALT IN1 charging current can be adjusted via EcoFlow App or Power Kit Console.

It is strongly recommended to unplug the alternator charging cable from the Power Hub when vehicle is not in use for a long time.



Vehicle Alternator System	Vehicle Alternator Voltage	Alternator charging will stop to protect vehicle starter battery from over-discharging
12V	<13V	
24V	<26V	
48V	<52V	



1. Vehicle Alternator Charging will only operate when vehicle is on move. If idle charging is needed, user can toggle the idle charging button via EcoFlow APP.
2. Connect ALT IN1 port as a priority for vehicle alternator charging.



Priority of multiple charging

Power Hub supports multiple charging input simultaneously, and the charging priorities are: solar charging, AC charging, vehicle alternator charging and EcoFlow smart generator charging.

The total charging current at the battery port of the Power Hub is limited to 100A.

When the charging input power is greater than the power required by the battery, the charging input with lower priority will reduce charging current smoothly or even stop charging.

X-Boost Feature

With EcoFlow X-Boost technology, this product can power a 5200 W Max device (for heating appliances only) while the rated output power remains 3600 W, avoiding operation failure due to overload protection.

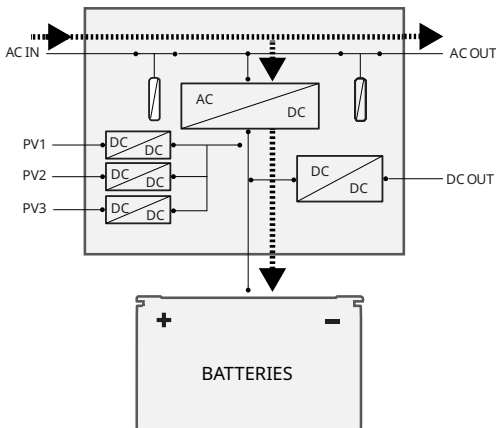


1. The X-Boost feature is unavailable when AC Output is in bypass mode.
2. The X-Boost feature is not suitable for all appliances. The X-Boost feature is only suitable for heating appliances. It is not suitable for some appliances with voltage protection, such as precision instruments.

Bypass Mode

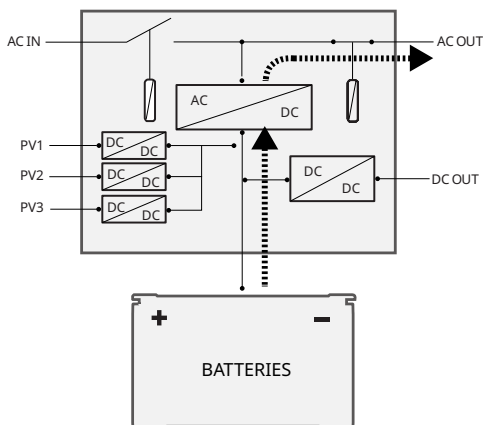
When the product is connected to external AC and the AC output is enabled, the system enters bypass mode. The AC output is provided by the external AC power supply and the LFP battery is charged by the external AC power supply.

When external AC is not available, this product will automatically transfer to inverter mode, AC output will restore power within 30ms.



Inverter Mode

When external AC power source is not available, the system will enter Inverter Mode. AC Output is now supplied by the LFP battery.



Standby Mode

When the AC output and DC output of the product are continuously off and there is no charging input for 20 seconds, it enters standby mode to reduce power consumption. Pressing the DC OUT or AC OUT button can wake up the system.



The Power Hub will not enter Standby Mode during firmware update.

FAQs

1. Can I connect non-ECOFLOW photovoltaic panels?

Yes, the Power hub has three independent PV charging inputs, and users are free to choose any brand and model of PV panel.

2. Which scenarios does this product apply to?

Application scenarios include but are not limited to Homes, RVs, and Off-grid Builds.

3. Do the input and output parameters of this product apply to electricity use standards of all countries?

Yes. Both low-voltage and high-voltage versions of this product are available, which cover electricity use standards of all countries.

4. What are the charging and discharging methods of this product?

Charging methods include: AC Charging, Vehicle Alternator Charging, Smart Generator Charging and Solar Charging. The discharging method is AC/DC output.

5. Which devices can connect to the AC output port of this product?

The rated power of the AC output port of this product is 3600W, and surge power is 7200W. It can supply power to most home appliances. However, it is recommended to confirm the power of the appliances before use, and ensure that the total power of all AC loads is less than the rated power.

6. How can I clean this product?

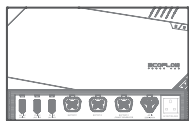
Use a dry, soft, and clean cloth or paper towel to wipe off dust, dirt, or water on this product.

7. How do I store this product?

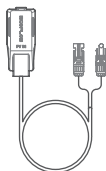
Before storage, power off the product, then store it in a dry and well-ventilated indoor environment. Do not place this product near water sources.

What's in the Box

Power Hub ×1



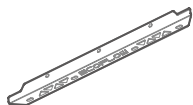
Solar Charge Cable
(6m/20ft) ×1



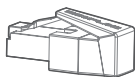
Mounting Kit (Back) ×1



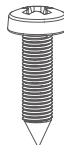
Mounting Kit (Top /
Bottom) ×2



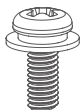
RJ-45 CAN Bus
Terminator ×2



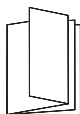
M5*20 (13pcs)



M5*10 (8pcs)



User Manual ×1
Warranty Card ×1
Quick Start Guide ×1



Care and Maintenance

1. Use or store this product in an environment with a temperature ranging from -25°C (-13°F) to 60°C (140°F) and keep this product away from water sources, heat sources, and metal objects.
2. For safety reasons, do not store this product in an environment where the temperature is higher than 45°C (113°F) or lower than 0°C (32°F) for a long time.

FCC Statement

This equipment complies with Part 15 of the FCC Rules. Operation is subject to the following two conditions:

- (1) This equipment may not cause harmful interference, and
- (2) This equipment must accept any interference received, including interference that may cause undesired operation.

Warning: Changes or modifications not expressly approved by the party responsible for compliance could void the user's authority to operate the equipment.

NOTE: This equipment has been tested and found to comply with the limits for a Class A digital device, pursuant to part 15 of the FCC Rules. These limits are designed to provide reasonable protection against harmful interference when the equipment is operated in a commercial environment. This equipment generates, uses, and can radiate radio frequency energy and, if not installed and used in accordance with the instruction manual, may cause harmful interference to radio communications. Operation of this equipment in a residential area is likely to cause harmful interference in which case the user will be required to correct the interference at his own expense.

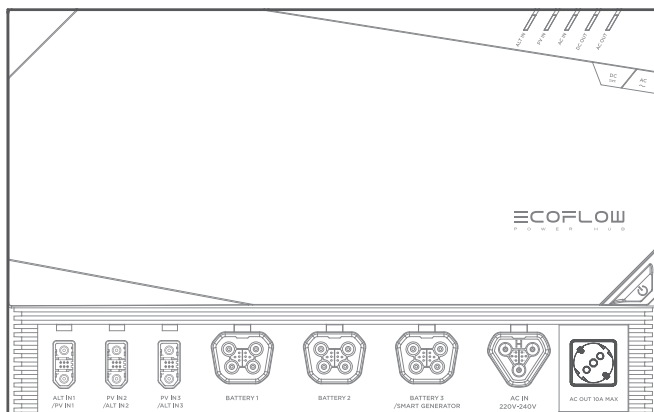
FCC Radiation Exposure Statement:

This equipment complies with FCC radiation exposure limits set forth for an uncontrolled environment. This equipment should be installed and operated with minimum distance 20cm between the radiator & your body.

ECOFLOW

POWER HUB

Benutzerhandbuch V1.2



EFM100-HUB

Haftungsausschluss

Lesen Sie diese Bedienungsanleitung sorgfältig durch, bevor Sie das Produkt verwenden, um sicherzustellen, dass Sie das Produkt vollständig verstehen und es richtig verwenden können. Bewahren Sie diese Bedienungsanleitung nach dem Lesen zum späteren Nachschlagen gut auf. Die unsachgemäße Verwendung dieses Produkts kann zu schweren Verletzungen bei Ihnen oder anderen Personen sowie zu Produkt- und Sachschäden führen. Sobald Sie dieses Produkt verwenden, wird davon ausgegangen, dass Sie alle Bedingungen und Inhalte dieses Dokuments verstehen, genehmigen und akzeptieren. EcoFlow haftet nicht für Schäden, die dadurch entstehen, dass der Nutzer das Produkt nicht in Übereinstimmung mit dieser Bedienungsanleitung verwendet.

In Übereinstimmung mit den Gesetzen und Vorschriften behält sich EcoFlow das Recht auf die endgültige Auslegung dieses Dokuments und aller Dokumente, die zu dem Produkt gehören, vor. Dieses Dokument kann ohne vorherige Ankündigung geändert (aktualisiert, überarbeitet oder beendet) werden. Bitte besuchen Sie die offizielle Website von EcoFlow, um die neuesten Produktinformationen zu erhalten.

Inhaltsverzeichnis

Technische Spezifikationen	1
Sicherheitshinweise	2
EcoFlow-APP	3
Erste Schritte	3
Produkt System	3
Übersicht über die Produktdetails	5
Verbinden von CAN-Busabschlüssen	6
VERWENDUNG DES PRODUKTS	8
Ein-/Ausschalten	8
Gleichstromausgang	8
Wechselstromausgang	9
Wechselstromladung	9
Smart Generator-Ladung	10
Solarladung	10
Ladung über die Fahrzeug-Lichtmaschine	11
X-Boost-Funktion	11
Bypass-Modus	11
Wechselrichter-Modus	11
Standby-Modus	11
Fragen und Antworten	13
Lieferumfang	14
PFLEGE UND WARTUNG	15
FCC-Erklärung	15

Technische Spezifikationen

Grundlegende Informationen

Nettogewicht	14 kg (31 lbs)
Abmessungen (L × B × H)	48 cm × 14 cm × 30 cm (18.9" × 5.5" × 11.8")
WLAN	Unterstützt (< 120 Meter)
Bluetooth (v4.0)	Unterstützt (< 15 Meter)

Ausgangsspezifikation

Wechselstromausgang	Reine Sinusspannung, insgesamt 3600 W (Überspannung 7200 W, 100 ms), 230 V, 50 Hz Lineares Derating auf 1800 W bei 40°C (104°F) < Umgebungstemperatur < 60°C (140°F) Herabsetzung auf 3000 W, wenn Batteriespannung < 49 V
Maximale von X-Boost unterstützte Leistung	5200 W
Gleichstromausgang	13.6 V, 70 A, maximale Leistung: 1000 W oder 26.4 V, 60 A, maximale Leistung: 1600 W

Eingangsspezifikation

Wechselstrom-Eingangsleistung	Das X-Stream-Schnellladegerät unterstützt eine maximale Leistung von 3000 W und einen maximalen Strom von 15 A.
Wechselstromeingangs-Spannung	220–240 V, 50 Hz/60 Hz
Eingang Lichtmaschine 2/3 PV-Eingang 2/3	13–60 V, 30 A, maximale Leistung: 1600 W 15–60 V, 30 A, maximale Leistung: 1600 W
Eingang Lichtmaschine 1 PV-Eingang 1	13–60 V, 60 A, maximale Leistung: 1600 W 15–60 V, 30 A, maximale Leistung: 1600 W

Akku-Pack-Spezifikation

Akkuanschluss (x3)	40–60 V, insgesamt 100 A, unterstützt bis zu drei 2 kWh-LFP- oder 5 kWh-LFP-Akkus, die separat erhältlich sind.(Es wird nicht empfohlen, einen Power Hub gleichzeitig mit einer EFM100-BPB und einer EFM100-BP zu verwenden.)
--------------------	---

Betriebsumgebung

Betriebstemperatur	-25 °C bis 60 °C (-13 °F bis 140 °F)
Aufbewahrungstemperatur	-25 °C bis 60 °C (-13 °F bis 140 °F)

Sonstige

EcoFlow Smart Generator	1800 W maximale Ladeleistung, separat erhältlich.
-------------------------	---



Sicherheitshinweise

1. **SPEICHERN SIE DIESE ANWEISUNGEN** – Dieses Handbuch enthält wichtige Sicherheits- und Betriebsanweisungen
2. Lesen Sie vor der Verwendung der Akkuladefunktion alle Anweisungen und Warnhinweise auf dem Akkuladegerät, dem Akku und dem Produkt, das den Akku nutzt.
3. **VORSICHT** – Um die Verletzungsgefahr zu verringern, laden Sie nur Akkus des Typs LiFePO₄. Andere Akkutypen können platzen und Personen- und Sachschäden verursachen.
4. Dies ist ein Produkt der Sicherheitsklasse I (mit einer Schutzerdungsklemme). An den Wechselstrom-Eingangs- und/oder -Ausgangsklemmen muss eine unterbrechungsfreie Schutzerdung vorhanden sein. Alternativ kann auch der außen am Produkt befindliche Erdungspunkt verwendet werden. Wenn es wahrscheinlich ist, dass der Erdungsschutz beschädigt wurde, muss das Produkt ausgeschaltet und gegen unbeabsichtigten Betrieb gesichert werden. Wenden Sie sich bitte an qualifiziertes Servicepersonal.
5. Um Brände, Kurzschlüsse und Stromschläge zu vermeiden, darf dieses Produkt nicht in Umgebungen mit hoher Luftfeuchtigkeit, hohen Temperaturen oder leitenden Verunreinigungen installiert werden.
6. Trennen Sie vor der Installation dieses Produkts die Hauptstromversorgung. Arbeiten Sie nicht, wenn das Produkt unter Spannung steht.
7. Halten Sie dieses Produkt von Wärmequellen, wie z. B. Feuer oder Heizöfen, fern.
8. Halten Sie dieses Produkt von Flüssigkeiten fern. Tauchen Sie dieses Produkt nicht in Wasser ein und lassen Sie es nicht nass werden. Verwenden Sie dieses Produkt nicht bei Regen oder in feuchten Umgebungen.
9. Verwenden Sie dieses Produkt nicht in Umgebungen mit starker statischer Elektrizität oder Magnetfeldern.
10. Bauen Sie dieses Produkt nicht auseinander und stechen Sie nicht mit scharfen Gegenständen hinein.
11. Verwenden Sie keine Drähte oder andere Metallgegenstände, die zu einem Kurzschluss führen können.
12. Verwenden Sie keine nicht werksgeprüften Komponenten oder Zubehörteile. Wenn Komponenten oder Zubehörteile ersetzt werden müssen, kaufen Sie diese über die offiziellen EcoFlow-Vertriebskanäle.
13. Halten Sie sich bei der Verwendung dieses Produkts strikt an die in diesem Benutzerhandbuch angegebene Umgebungstemperatur.
14. Stellen Sie keine anderen schweren Gegenstände auf dieses Produkt.
15. Blockieren Sie das Gebläse während der Verwendung des Geräts nicht gewaltsam und stellen Sie das Gerät nicht in einem unbelüfteten oder staubigen Bereich auf.
16. Vermeiden Sie bitte Stöße, Stürze oder starke Erschütterungen, wenn Sie das Produkt verwenden. Schalten Sie im Falle einer starken äußeren Schlageinwirkung sofort die Stromversorgung aus und verwenden Sie das Produkt nicht mehr. Stellen Sie sicher, dass das Produkt während des Transports gut befestigt ist, um Vibrationen und Stöße zu vermeiden.
17. Sollte das Produkt während des Gebrauchs versehentlich in Wasser fallen, platzieren Sie es in einem sicheren, offenen Bereich und halten Sie sich von ihm fern, bis es vollständig getrocknet ist. Das getrocknete Produkt kann nicht wiederverwendet werden und sollte entsprechend der im EcoFlow-Akku-Benutzerhandbuch beschriebenen Methode ordnungsgemäß entsorgt werden. Sollte das Produkt in Brand geraten, empfehlen wir Ihnen, die Feuerlöscher in der folgenden Reihenfolge zu verwenden: Wasser oder Wassernebel, Sand, Löschdecke, Trockenpulver und Kohlendioxid-Feuerlöscher.

18. Wenn die Anschlüsse des Geräts verschmutzt sind, reinigen Sie sie mit einem trockenen Tuch.
19. Stellen Sie das Gerät vorsichtig auf, um Schäden durch Umfallen zu vermeiden. Sollte das Gerät umfallen und schwer beschädigt werden, schalten Sie es sofort aus.
20. Bewahren Sie dieses Produkt außerhalb der Reichweite von Kindern und Haustieren auf.

EcoFlow-APP



Mit der EcoFlow-App können Sie Ihre Modular Power-Lösungen aus der Ferne steuern, überwachen und anpassen. Herunterladen unter: <https://download.ecoflow.com/app>

Datenschutzrichtlinie

Durch die Nutzung von EcoFlow-Produkten, -Anwendungen und -Diensten erklären Sie sich mit den EcoFlow-Nutzungsbedingungen und der Datenschutzerklärung einverstanden, die Sie über den Abschnitt "Über" auf der Seite "Benutzer" der EcoFlow-App oder auf der offiziellen EcoFlow-Website unter folgender Adresse einsehen können <https://www.ecoflow.com/policy/terms-of-use> und <https://www.ecoflow.com/policy/privacy-policy>



1. Das Bluetooth dieses Produkts kann nur mit einem EcoFlow App-Konto verbunden werden. Wenn Sie das Produkt über ein anderes Konto verbinden möchten, können Sie das Bluetooth über die App oder durch langes Drücken der DC-Taste des Produkts für 3 Sekunden zurücksetzen.
2. Dieses Produkt UNTERSTÜTZT NUR 2.4GHz WiFi.

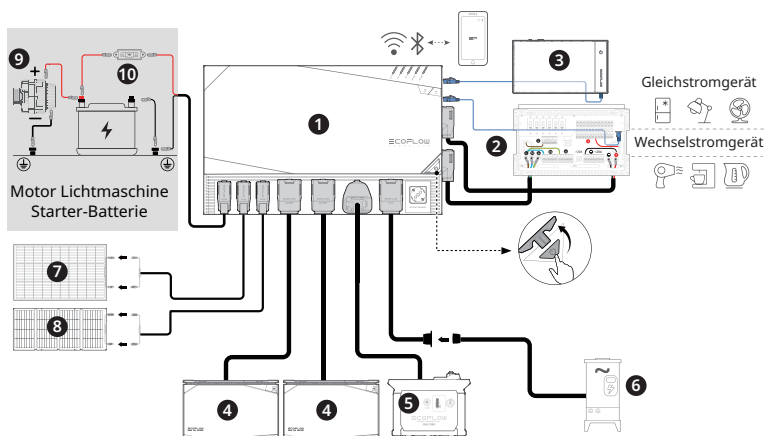
Erste Schritte

Übersicht über das Produktsystem

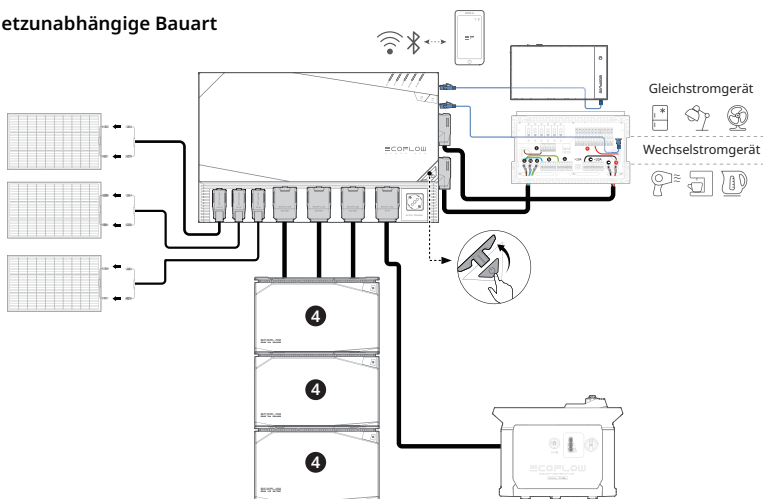


1. Wenn das Produkt in einem geschlossenen Raum installiert wird, ist die Belüftung ein MUSS, um das Produkt vor Überhitzung und Überlastung zu schützen.
2. Installieren Sie aus Sicherheitsgründen einen FI-Schutzschalter (GFCI), auch als Fehlerstrom-Schutzeinrichtung (RCD) bezeichnet, am Wechselstromeingang und Wechselstromausgang des Power Hub. Bitte beachten Sie die örtlich geltenden Vorschriften zur Erdung von autonomen Stromversorgungssystemen.
3. Bevor Sie dieses Produkt an den EcoFlow LFP-Akku anschließen, vergewissern Sie sich, dass kein Ladeingang an den Power HUB angeschlossen und der LFP-Akku ausgeschaltet ist.
4. Es wird nicht empfohlen, einen Power Hub gleichzeitig mit einer EFM100-BPB und einer EFM100-BP zu verwenden.
5. Es wird nicht empfohlen, den LFP-Akku anzuschließen oder abzuklemmen, wenn das System eingeschaltet ist.

Wohnmobil (RV)



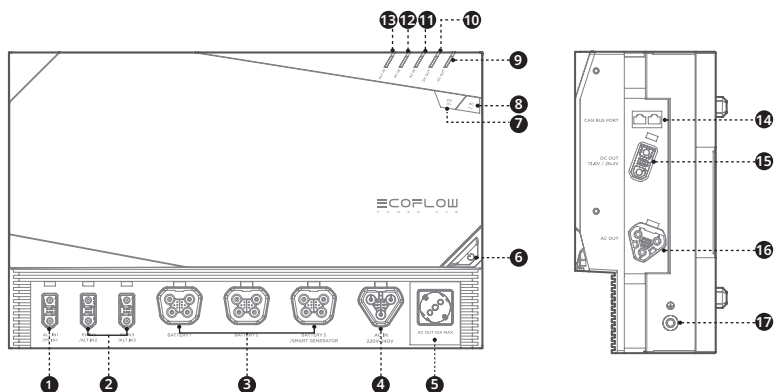
Netzunabhängige Bauart



1. EcoFlow Power Hub
2. AC/DC Smart Disribution Panel
3. Power Kit-Konsole
4. EcoFlow 5 kWh-/2 kWh-LFP-Akku
5. EcoFlow Smart Generator

6. Landstrom Campingplatz
7. Rigides oder flexibles Solarmodul
8. Faltbares / tragbares Solarpanel
9. Fahrzeug-Lichtmaschine
10. FUSE-100A (Kaufen Sie es selbst)

Übersicht über die Produktdetails



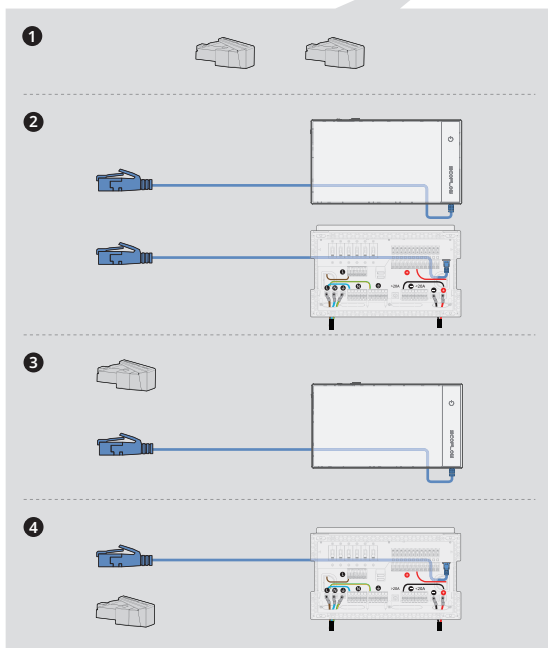
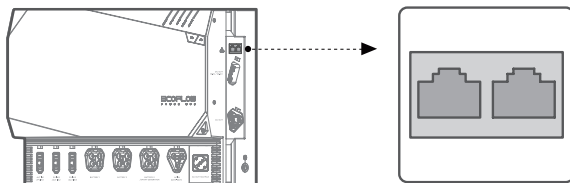
1. ALT IN-/PV IN 1-Anschluss
2. PV IN-ALT IN 2/3-Anschluss
3. Akku 1/2/3-Anschluss/Smart Generator-Anschluss
4. AC IN-Anschluss
5. AC OUT-Anschluss (10 A)
6. Netzschalter

7. DC OUT-Schalter
8. AC OUT-Schalter
9. AC Out-Anzeige
10. DC Out-Anzeige
11. AC IN-Anzeige
12. PV IN-Anzeige
13. ALT IN-Anzeige

14. RJ45 CAN-BUS-COMM-Anschlüsse
15. DC Out-Hauptanschluss
16. AC Out-Hauptanschluss
17. Erdungsbolzen
18. Luftauslass
19. Lufteinlass

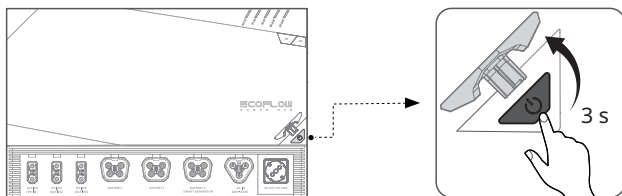
Verbinden von CAN-Busabschlüssen

Um die Kommunikationsqualität zu gewährleisten, verfügt dieses Produkt über zwei RJ45-CAN-Bus-Anschlüsse. Jeder Anschluss kann mit einem AC/DC Smart Distribution Panel, einer Power Hub-Konsole oder einem RJ45-CAN-Bus-Terminator verbunden werden. Beide Anschlüsse müssen verbunden sein, um die Kommunikation im gesamten System zu stabilisieren. Andernfalls kommt es zu einer Fehlfunktion des Systems.



Verwendung des Produkts

Ein-/Ausschalten



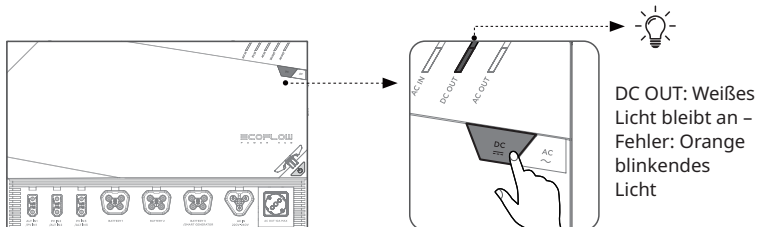
	Fünf Anzeigen (Rechte obere Ecke)	Anzeige Hauptstromversorgung
Einschalten	Fünf Anzeigen leuchten von links nach rechts auf, blinken 3 Mal und bleiben aus.	Licht atmen
Ausschalten	Fünf Anzeigen blinken 3 Mal und bleiben aus.	Schaltet sich aus



1. Warten Sie vor dem Weiterbetrieb nach dem Drücken der Ausschalttaste 5 Sekunden, bis das System vollständig heruntergefahren ist.
2. Vergewissern Sie sich, dass kein Ladeeingang an den Power Hub angeschlossen ist, bevor Sie die Power Kits ausschalten.

Gleichstromausgang

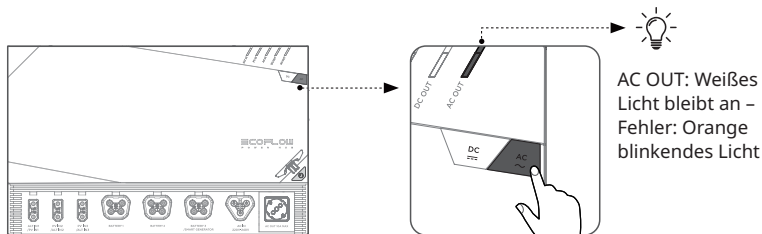
Wenn das Gerät eingeschaltet ist, drücken Sie kurz den DC-Schalter, um den Gleichstromausgang zu aktivieren. Um den Gleichstromausgang zu deaktivieren, drücken Sie erneut kurz den DC-Schalter.



Wechselstromausgang

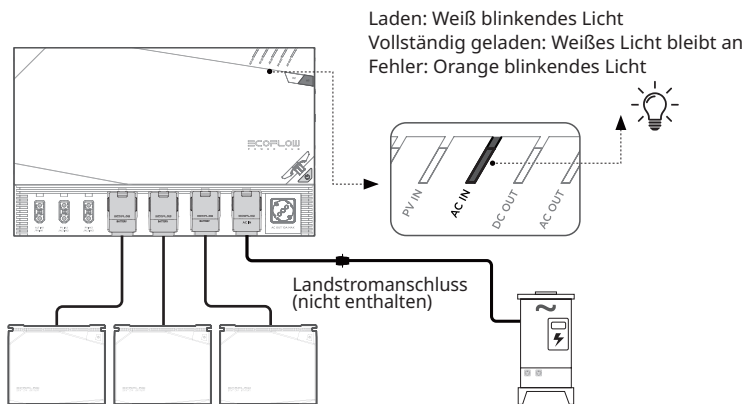
Wenn das Gerät eingeschaltet ist, drücken Sie kurz den AC-Schalter, um den Wechselstromausgang zu aktivieren. Um den Wechselstromausgang zu deaktivieren, drücken Sie erneut kurz den AC-Schalter.

Wenn sich der Power Hub im Leerlaufmodus befindet, schalten Sie den Wechselstromausgang aus, um einen Stromverlust zu vermeiden.



Wechselstromladung

Der EcoFlow Power Hub verfügt über die EcoFlow-Schnellladetechnologie X-Stream. Die maximale Wechselstrom-Ladeleistung beträgt 3000 W und der maximale Wechselladestrom beträgt 15 A. Der Benutzer kann den Ladestrom über die EcoFlow-App oder die Power Kit-Konsole anpassen. Der Standardladestrom beträgt 10 A.



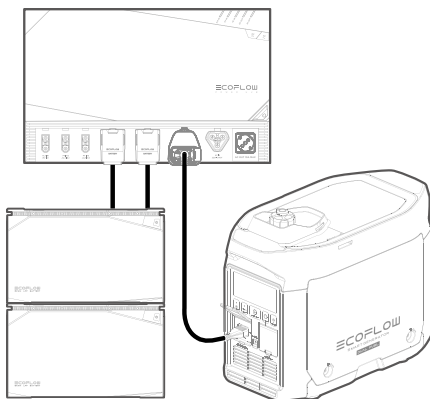
EcoFlow haftet nicht für Schäden, die durch die Verwendung von nicht von EcoFlow bereitgestellten Ladekabeln entstehen.

EcoFlow Smart Generator-Ladung

Die Power Kits können mit verschiedenen Kabeln aufgeladen werden, die an den AC- oder DC-Ausgang des EcoFlow Smart Generators angeschlossen werden.

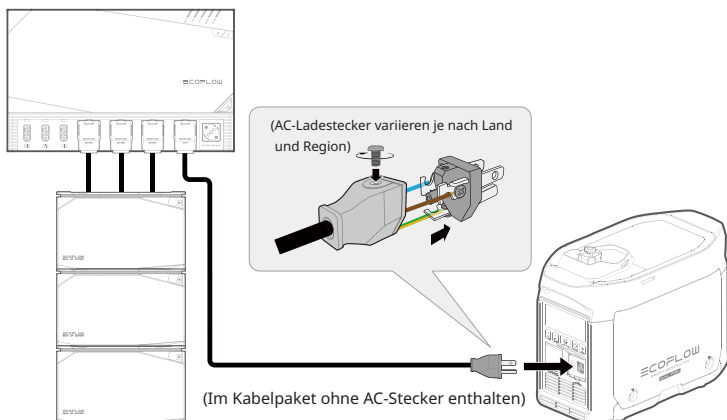
Gleichstromladung

Verbinden Sie den EcoFlow Smart Generator mit dem 5 m langen Akkuanschlusskabel (Smart Generator, DC-Ladekabel und Adapter sind separat erhältlich) mit dem POWER HUB.



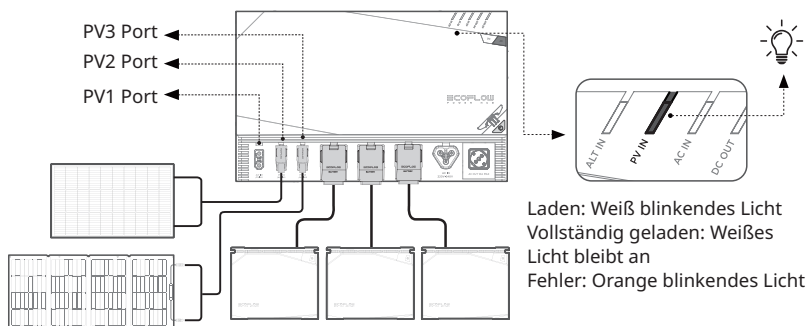
Wechselstromladung

Schließen Sie den EcoFlow Smart Generator mit dem AC-Ladekabel an POWER HUB an.



Solarladung

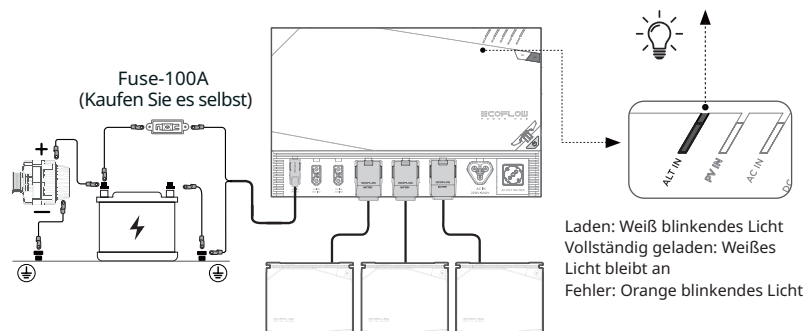
Der Power Hub hat drei PV-Eingänge (Photovoltaik) mit einer Gesamtleistung von 4800 W für alle drei Anschlüsse und 1600 W für jeden Anschluss. Jede Marke von Solarmodulen kann verwendet werden, solange sie den Spezifikationen des Solarladeeingangs entspricht. Für EcoFlow 100w starre oder flexible Solarzellen können bis zu 6S3P an jeden Anschluss angeschlossen werden, für EcoFlow 400w starre Solarzellen können bis zu 4S1P oder 2S2P an jeden Anschluss angeschlossen werden, für EcoFlow 400w faltbare Solarzellen können bis zu 3S1P oder 2S2P an jeden Anschluss angeschlossen werden. (S: Serie, P: parallel)



Ladung über die Fahrzeug-Lichtmaschine

Der Power Hub hat drei Lichtmaschinen-Ladeeingänge, die 12V, 24V oder 48V Lichtmaschinen unterstützen. Jeder Anschluss nimmt maximal 1600 W auf. Der maximale Ladestrom des ALT IN1-Anschlusses beträgt 60 A, der der anderen beiden Anschlüsse 30 A. Nur der ALT IN1-Ladestrom kann über die EcoFlow-App oder die Power Kit-Konsole eingestellt werden.

Es wird dringend empfohlen, den Stecker des ALT IN-Anschlusses zu entfernen, wenn das Fahrzeug für längere Zeit nicht benutzt wird.



Fahrzeug-Generator-System	Fahrzeug-Lichtmaschine Spannung	Der Ladevorgang der Lichtmaschine wird gestoppt, um die Starterbatterie des Fahrzeugs vor einer Überentladung zu schützen.
12V	<13V	
24V	<26V	
48V	<52V	



1. Die Lichtmaschine des Fahrzeugs wird nur geladen, wenn das Fahrzeug in Bewegung ist. Wenn eine Aufladung im Leerlauf erforderlich ist, kann der Benutzer die Leerlauf-Ladetaste über die EcoFlow APP umschalten.
2. Schließen Sie den Anschluss ALT IN1 vorrangig für das Laden der Lichtmaschine des Fahrzeugs an.



Priorität der Mehrfachaufladung

Power Hub unterstützt mehrere Ladeeingänge gleichzeitig, und die Ladeprioritäten sind: Solarladen, AC-Laden, Laden mit der Lichtmaschine des Fahrzeugs und Laden mit dem EcoFlow Smart Generator.

Der Gesamtladestrom am Batterieanschluss des Power Hub ist auf 100 A begrenzt.

Wenn die Leistung des Ladeeingangs größer ist als die von der Batterie benötigte Leistung, wird der Ladeeingang mit niedrigerer Priorität den Ladestrom gleichmäßig reduzieren oder sogar den Ladevorgang beenden.

X-Boost-Funktion

Mit der EcoFlow X-Boost-Technologie kann dieses Produkt ein Gerät mit einer maximalen Leistung von 5200 W versorgen (nur für Heizgeräte), während die Nennausgangsleistung bei 3600 W bleibt, wodurch ein Betriebsausfall aufgrund von Überlastungsschutz vermieden wird.

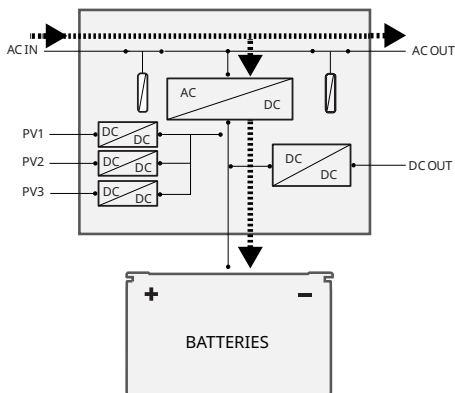


1. Die X-Boost-Funktion ist nicht verfügbar, wenn sich der Wechselstromausgang im Bypass-Modus befindet.
2. Die X-Boost-Funktion ist nicht für alle Geräte geeignet. Die X-Boost-Funktion ist eher für Heizungs- und Motorgeräte geeignet. Sie ist für einige Geräte mit Spannungsschutz, wie z. B. Präzisionsinstrumente, nicht geeignet. Ob ein Gerät die X-Boost-Funktion unterstützt, hängt von den jeweiligen Bedingungen ab.

Bypass-Modus

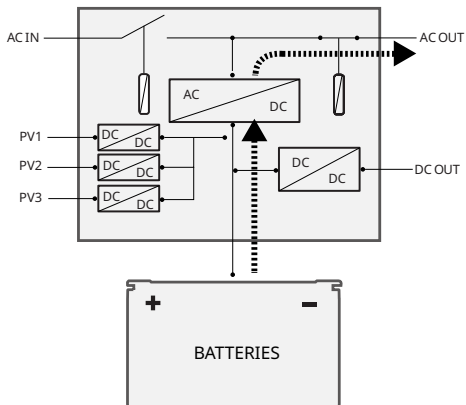
Wenn das Gerät an eine externe Wechselstromquelle angeschlossen ist und der Wechselstromausgang eingeschaltet wird, geht das System in den Bypass-Modus über. Der AC-Ausgang wird von der externen AC-Versorgung gespeist und der LFP-Akku wird durch die externe AC-Versorgung geladen.

Wenn kein externer Wechselstrom zur Verfügung steht, schaltet dieses Produkt automatisch in den Wechselrichtermodus um, und der Wechselstromausgang stellt die Stromversorgung innerhalb von 30 ms wieder her.



Wechselrichter-Modus

Wenn kein externer Wechselstrom zur Verfügung steht, liefert der Wechselrichter Wechselstrom über den Wechselstromausgang.



Standby-Modus

Wenn der AC-Ausgang und der DC-Ausgang des Geräts ständig ausgeschaltet sind und 20 Sekunden lang kein Ladeeingang erfolgt, schaltet das Gerät in den Standby-Modus, um den Stromverbrauch zu senken, und kann durch Drücken der Taste DC OUT oder AC OUT wieder aktiviert werden.



Der Power HUB wechselt nicht in den Standby-Modus, wenn die Firmware aktualisiert wird.

Fragen und Antworten

1. Kann ich Fotovoltaikmodule anschließen, die nicht von ECOFLOW stammen?

Ja, der Power Hub verfügt über drei unabhängige PV-Ladeeingänge, und die Benutzer können jede Marke und jedes Modell von PV-Panels wählen.

2. Für welche Szenarien ist dieses Produkt geeignet?

Zu den Anwendungsszenarien gehören unter anderem Häuser, Wohnmobile und Kajüten.

3. Gelten die Eingangs- und Ausgangsparameter dieses Produkts für die Stromverbrauchsnormen aller Länder?

Ja. Es sind sowohl Nieder- als auch Hochspannungsversionen dieses Produkts erhältlich, die die Stromverbrauchsnormen aller Länder abdecken.

4. Welche Lade- und Entladeverfahren gibt es für dieses Produkt?

Zu den Aufladeverfahren gehören: Wechselstromladung, Ladung über die Fahrzeug-Lichtmaschine, Smart Generator-Ladung und Solarladung. Die Entladung erfolgt über den Wechselstrom- und Gleichstromausgang.

5. Welche Geräte können an den Wechselstromausgang dieses Produkts angeschlossen werden?

Die Nennleistung des Wechselstromausgangs dieses Produkts beträgt 3.600 W, und die Überspannung beträgt 7.200 W. Es kann die meisten Haushaltsgeräte mit Strom versorgen. Wir empfehlen Ihnen jedoch, die Leistung der Geräte vor der Verwendung zu überprüfen und sicherzustellen, dass die Gesamtleistung aller geladenen Geräte unter der Nennleistung liegt.

6. Wie kann ich dieses Produkt reinigen?

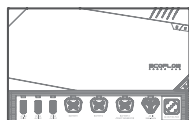
Verwenden Sie ein trockenes, weiches und sauberes Tuch oder ein Papiertuch, um das Produkt abzuwischen.

7. Wie lagere ich dieses Produkt?

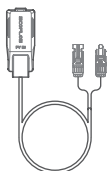
Schalten Sie das Gerät vor der Lagerung aus und lagern Sie es an einem trockenen und gut belüfteten Raum. Platzieren Sie dieses Produkt nicht in der Nähe einer Wasserquelle.

Lieferumfang

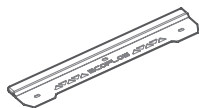
POWER HUB × 1



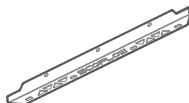
Solar-Ladekabel (6 Meter) × 1



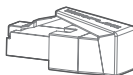
Montagesatz (Rückseite) × 1



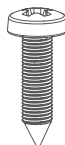
Montagesatz (Top / Unterseite) × 2



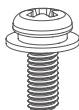
RJ-45 CAN-Busabschluss × 2



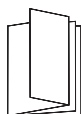
M5*20 (13 Stk.)



M5*10 (8 Stk.)



Benutzerhandbuch × 1
Garantiekarte × 1
Schnellstartanleitung × 1



PFLEGE UND WARTUNG

1. Verwenden oder lagern Sie dieses Produkt in einer Umgebung mit einer Temperatur zwischen -25 °C (-13 °F) und 60 °C (140 °F) und halten Sie es von Wasserquellen, Wärmequellen und Metallgegenständen fern. -25 °C bis 60 °C (-13 °F bis 140 °F)
2. Lagern Sie dieses Produkt aus Sicherheitsgründen nicht über einen längeren Zeitraum in einer Umgebung, in der die Temperatur über 45 °C (113 °F) oder unter 0 °C (32 °F) liegt.

FCC-Erklärung

Dieses Gerät erfüllt Teil 15 der FCC-Bestimmungen. Der Betrieb unterliegt den folgenden beiden Bedingungen:

- (1) Dieses Gerät darf keine schädlichen Interferenzen verursachen, und
- (2) Dieses Gerät toleriert sämtliche empfangenen Interferenzen, einschließlich Interferenzen, die seinen Betrieb stören können.

Warnung: Änderungen und Umbauten, die von den für die Konformität verantwortlichen Parteien nicht ausdrücklich genehmigt wurden, können die Befugnis des Benutzers, das Gerät zu betreiben, aufheben.

HINWEIS: Dieses Gerät wurde getestet und entspricht den Grenzwerten für ein digitales Gerät der Klasse A, entsprechend Teil 15 der FCC-Regeln. Diese Grenzwerte sollen einen angemessenen Schutz gegen schädliche Störungen bieten, wenn das Gerät in gewerblichen Räumen eingesetzt wird. Dieses Gerät erzeugt und verwendet Funkfrequenzenergie und kann solche ausstrahlen, wodurch es bei unsachgemäßer Installation und Bedienung zu Störungen von Funkverbindungen kommen kann. Bei Betrieb dieses Geräts in einem Wohngebiet wird wahrscheinlich schädliche Interferenz erzeugt, in welchem Fall der Benutzer die erforderlichen Gegenmaßnahmen treffen muss, um die Interferenz auf eigene Kosten zu beheben.

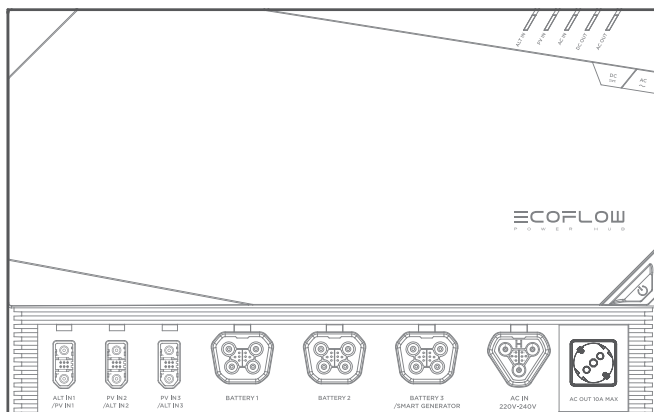
FCC-Erklärung zur Strahlenbelastung:

Dieses Gerät entspricht den FCC-Grenzwerten für Strahlenbelastung, die für eine nicht kontrollierte Umgebung festgelegt wurden. Dieses Gerät sollte mit einem Mindestabstand von 20 cm zu Ihrem Körper installiert und bedient werden.

≡ COFLOW

POWER HUB

Manuel d'utilisation V1.2



EFM100-HUB

Avis de non-responsabilité

Lisez attentivement ce manuel d'utilisation avant d'utiliser le produit pour vous assurer que vous comprenez parfaitement le produit et que vous pouvez l'utiliser correctement. Après avoir lu ce manuel d'utilisation, conservez-le soigneusement à des fins de référence ultérieure. Si vous n'utilisez pas ce produit correctement, vous risquez de vous blesser gravement ou de blesser d'autres personnes, ou d'endommager le produit et de provoquer des dégâts matériels. Dès que vous utilisez ce produit, vous êtes réputé avoir compris, approuvé et accepté tous les termes et contenus de ce document. EcoFlow n'est pas responsable de toute perte causée par le fait que l'utilisateur n'utilise pas le produit conformément au présent manuel d'utilisation.

Conformément aux lois et règlements, EcoFlow se réserve le droit d'interprétation finale de ce document et de tous les documents relatifs au produit. Ce document est susceptible d'être modifié (mises à jour, révisions ou résiliation) sans avis préalable. Veuillez visiter le site Web officiel d'EcoFlow pour obtenir les dernières informations sur le produit.

Table des matières

Spécifications techniques	1
Consignes de sécurité	2
APP EcoFlow	3
Mise en route	3
Système de produit	3
Aperçu des détails du produit	5
Connexion des terminaisons de bus CAN	6
UTILISATION DU PRODUIT	8
Mise sous/hors tension	8
Sortie CC	8
Sortie CA	9
Charge CA	9
Chargement intelligent du générateur	10
Charge solaire	10
Charge de l'alternateur du véhicule	11
Fonction X-Boost	11
Mode Dérivation	11
Mode Onduleur	11
Mode Veille	11
FAQ	13
Contenu de la boîte	14
ENTRETIEN ET MAINTENANCE	15
Déclaration de la FCC	15

Spécifications techniques

Informations de base

Poids net	14 kg (31 lbs)
Dimensions (L × l × H)	48 cm × 14 cm × 30 cm (18.9" × 5.5" × 11.8")
Wi-Fi	Pris en charge (<120 mètres)
Bluetooth (v4.0)	Pris en charge (<15 mètres)

Spécification de sortie

Sortie CA	Onde sinusoïdale pure, 3 600 W au total (surtension 7200 W, 100 ms), 230 V, 50 Hz Déclassement linéaire à 1800 W lorsque 40°C (104°F) < Température ambiante < 60°C (140°F). Déclassement à 3000 W lorsque tension de la batterie < 49 V
Puissance maximale prise en charge par X-Boost	5200 W
Sortie CC	13.6 V 70 A, puissance maximale : 1000 W ou 26.4 V 60 A, puissance maximale : 1600 W

Spécification d'entrée

Puissance d'entrée CA	La charge rapide X-Stream prend en charge une puissance maximale de 3000 W et un courant maximal de 15 A.
Tension d'entrée CA	220–240 V, 50 Hz/60 Hz
Entrée alternateur 2/3 Entrée PV 2/3	13–60 V 30 A, puissance maximale : 1600 W 15–60 V 30 A, puissance maximale : 1600 W
Entrée alternateur 1 Entrée PV 1	13–60 V 60 A, puissance maximale : 1600 W 15–60 V 30 A, puissance maximale : 1600 W

Spécifications du bloc batterie

Port de batterie (x3)	40-60 V Total 100 A, prend en charge jusqu'à trois batteries LFP 2 kWh ou 5 kWh, qui sont vendues séparément. (Il n'est pas recommandé d'utiliser un Power Hub avec une batterie LFP de EFM100-BPB et EFM100-BP en même temps.)
-----------------------	---

Environnement de fonctionnement

Température de fonctionnement	-25 °C à 60 °C (-13 °F à 140 °F)
Température de stockage	-25 °C à 60 °C (-13 °F à 140 °F)

Autre

Générateur intelligent EcoFlow	Puissance de charge maximale de 1800 W, vendue séparément.
--------------------------------	--



Consignes de sécurité

1. CONSERVEZ CES INSTRUCTIONS – Ce manuel contient des instructions de sécurité et d'utilisation importantes
2. Avant d'utiliser la fonction chargeur de batterie, lisez toutes les instructions et les mises en garde relatives au chargeur de batterie, à la batterie et au produit utilisant la batterie.
3. ATTENTION – Pour réduire les risques de blessures, chargez uniquement des batteries rechargeables de type LiFePO4. D'autres types de batteries peuvent exploser et causer des blessures et des dommages.
4. Ce produit est un produit de classe de sécurité I (fourni avec une borne de mise à la terre de protection). Une mise à la terre de protection ininterrompue doit être fournie aux bornes d'entrée et/ou de sortie CA. Alternativement, le point de mise à la terre situé à l'extérieur du produit peut être utilisé. Chaque fois qu'il est probable que la protection de mise à la terre a été endommagée, le produit doit être mis hors tension et verrouillé contre tout fonctionnement involontaire ; veuillez contacter le personnel de service qualifié.
5. Pour éviter les incendies, les courts-circuits et les chocs électriques, n'installez pas ce produit dans des environnements à forte humidité, à haute température ou contenant des contaminants conducteurs.
6. Avant d'installer ce produit, débranchez l'alimentation électrique principale. Ne travaillez pas quand l'alimentation est sous tension.
7. Gardez ce produit à l'écart des sources de chaleur, telles que les feux ou les fours de chauffage.
8. Gardez ce produit à l'écart de tout liquide. Ne plongez pas ce produit dans l'eau et ne le mouillez pas. N'utilisez pas ce produit sous la pluie ou dans des environnements humides.
9. N'utilisez pas ce produit dans des environnements à forte électricité statique ou champs magnétiques.
10. Ne démontez en aucun cas ce produit et ne le percez pas avec des objets pointus.
11. N'utilisez pas de fils ou d'autres objets métalliques pouvant entraîner un court-circuit.
12. N'utilisez pas de composants ou d'accessoires non officiels. Si des composants ou des accessoires doivent être remplacés, achetez-les auprès des canaux de vente officiels EcoFlow.
13. Respectez strictement la température ambiante d'utilisation indiquée dans ce manuel d'utilisation lorsque vous utilisez ce produit.
14. N'empilez pas d'autres objets lourds sur ce produit.
15. Ne bloquez pas le ventilateur de force pendant l'utilisation du produit et ne placez pas le produit dans un endroit non ventilé ou poussiéreux.
16. Veuillez éviter les chocs, les chutes ou les fortes vibrations lorsque vous utilisez le produit. En cas de choc externe grave, coupez immédiatement l'alimentation électrique et arrêtez d'utiliser le produit. Assurez-vous que le produit est bien fixé pendant le transport pour éviter les vibrations et les chocs.
17. Si le produit tombe accidentellement dans l'eau pendant l'utilisation, placez-le dans un endroit sûr et restez à l'écart jusqu'à ce qu'il soit complètement sec. Le produit séché ne peut pas être réutilisé et doit être correctement mis au rebut conformément à la méthode décrite dans le manuel d'utilisation de la batterie EcoFlow. Si le produit prend feu, nous vous conseillons d'utiliser les extincteurs dans l'ordre suivant : eau ou brouillard d'eau, sable, couverture anti-feu, poudre sèche et extincteur à dioxyde de carbone.

18. S'il y a de la saleté sur les ports du produit, nettoyez avec un chiffon sec.
19. Placez ce produit avec précaution pour éviter toute chute susceptible de l'endommager. En cas de chute et d'endommagement grave, mettez immédiatement le produit hors tension.
20. Gardez ce produit hors de portée des enfants et des animaux domestiques.

APP EcoFlow



Contrôlez, surveillez et personnalisez vos solutions d'alimentation modulaires à distance avec l'application EcoFlow. Téléchargez-la sur : <https://download.ecoflow.com/app>

Politique de confidentialité

En utilisant les produits, applications et services EcoFlow, vous acceptez les conditions d'utilisation et la politique de confidentialité d'EcoFlow, auxquelles vous pouvez accéder via la section "À propos" de la page "Utilisateur" de l'application EcoFlow ou sur le site officiel d'EcoFlow à l'adresse suivante <https://www.ecoflow.com/policy/terms-of-use> et <https://www.ecoflow.com/policy/privacy-policy>



1. Le Bluetooth de ce produit ne peut être connecté qu'avec un seul compte EcoFlow App, si vous avez besoin de connecter le produit avec un autre compte, vous pouvez réinitialiser le Bluetooth via l'App ou en appuyant longuement sur le bouton DC du produit pendant 3 secondes.
2. Ce produit ne supporte que le WiFi 2.4GHz.

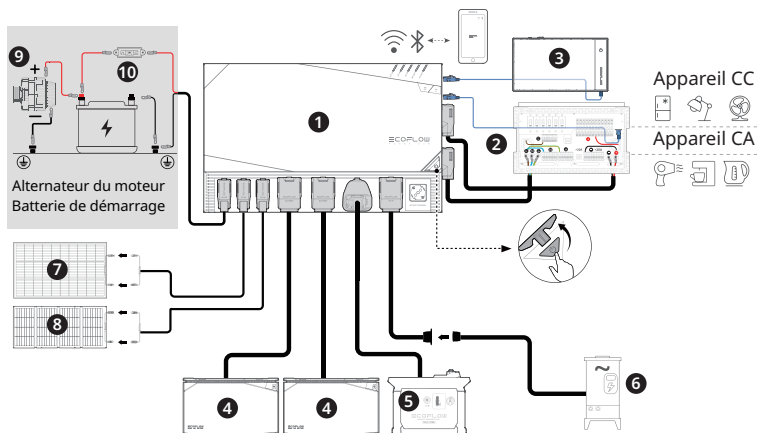
Mise en route

Présentation du système du produit

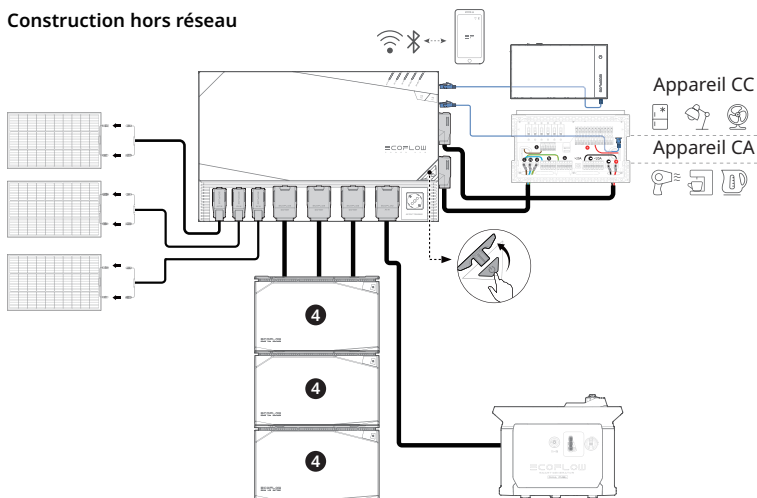


1. Si le produit est installé dans un espace clos, la ventilation est **INDISPENSABLE** pour éviter que le produit ne surchauffe et ne surcharge.
2. Pour des raisons de sécurité, installez un disjoncteur de fuite à la terre (GFCI), également connu sous le nom de dispositif de courant résiduel (RCD) dans l'entrée CA et la sortie CA du concentrateur d'alimentation. Veuillez consulter les réglementations locales applicables concernant la mise à la terre des systèmes d'alimentation autonomes.
3. Avant de connecter ce produit à la batterie EcoFlow LFP, assurez-vous qu'aucune entrée de charge n'est connectée au concentrateur d'alimentation et que la batterie LFP est hors tension.
4. Il n'est pas recommandé d'utiliser un Power Hub avec une batterie LFP de EFM100-BPB et EFM100-BP en même temps.
5. Il n'est pas recommandé de connecter ou de déconnecter la batterie LFP lorsque le système est sous tension.

Véhicule récréatif (VR)

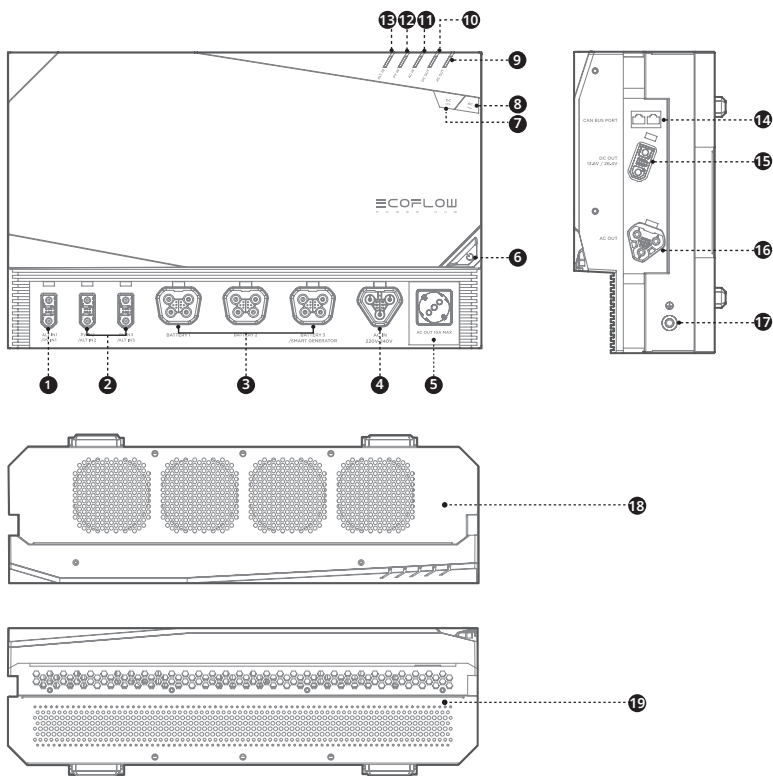


Construction hors réseau



- | | |
|--|---------------------------------------|
| 1. Concentrateur d'alimentation EcoFlow | 6. Prise de camping |
| 2. Tableau de distribution intelligent CA/CC | 7. Panneau solaire rigide ou flexible |
| 3. Console du kit d'alimentation | 8. Panneau solaire pliable / portable |
| 4. Batterie LFP 5 kWh/2 kWh EcoFlow | 9. Alternateur de véhicule |
| 5. Générateur intelligent EcoFlow | 10. Fuse-100A (Achetez-le vous-même) |

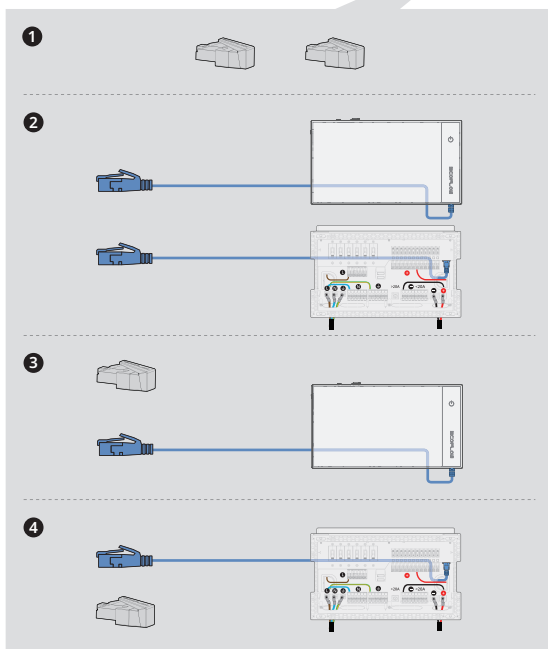
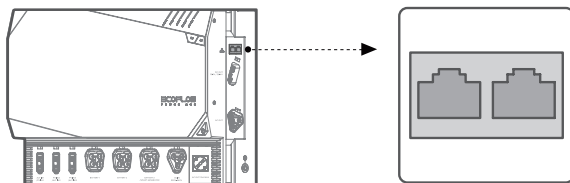
Aperçu des détails du produit



- | | | |
|--|-------------------------|--|
| 1. Port d'entrée ALT / entrée PV 1 | 7. Bouton de sortie CC | 14. Ports de communication de bus CAN RJ45 |
| 2. Port d'entrée PV /d'entrée ALT 2/3 | 8. Bouton de sortie CA | 15. Port de sortie CC principal |
| 3. Port de batterie 1/2/3 / Port de générateur intelligent | 9. Voyant de sortie CA | 16. Port de sortie CA principal |
| 4. Port d'entrée CA | 10. Voyant de sortie CC | 17. Goujon de terre |
| 5. Port de sortie CA (10 A) | 11. Voyant d'entrée CA | 18. Sortie d'air |
| 6. Bouton d'alimentation | 12. Voyant d'entrée PV | 19. Entrée d'air |
| | 13. Voyant d'entrée ALT | |

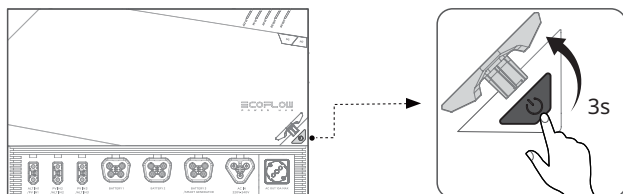
Connexion des terminaisons de bus CAN

Pour assurer la qualité de la communication, ce produit est livré avec deux ports CAN Bus RJ45, chaque port peut être connecté à un panneau de distribution intelligent AC/DC, une console Power Hub ou un terminateur CAN bus RJ45. Les deux ports doivent être connectés pour stabiliser la communication dans tout le système. Le non-respect de cette consigne entraînera un dysfonctionnement du système.



Utilisation du produit

Mise sous/hors tension



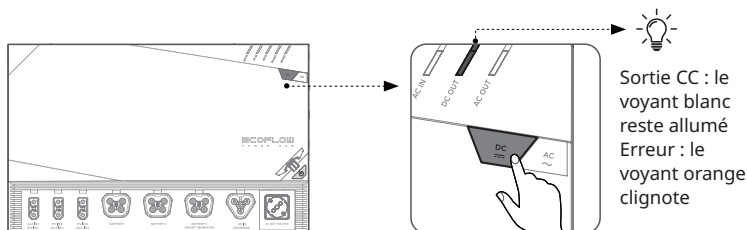
	Cinq voyants (Coin supérieur droit)	Voyant d'alimentation principale
Mise sous tension	Cinq indicateurs s'allument de gauche à droite, clignotent 3 fois et restent éteints.	Respiration légère
Mise hors tension	Cinq indicateurs clignotent 3 fois et restent éteints.	S'éteint



1. Veuillez attendre 5 secondes pour laisser le système s'éteindre complètement avant de poursuivre toute opération après avoir appuyé sur le bouton de mise hors tension.
2. Assurez-vous qu'aucune entrée de charge n'est connectée au Power Hub avant d'éteindre les kits d'alimentation.

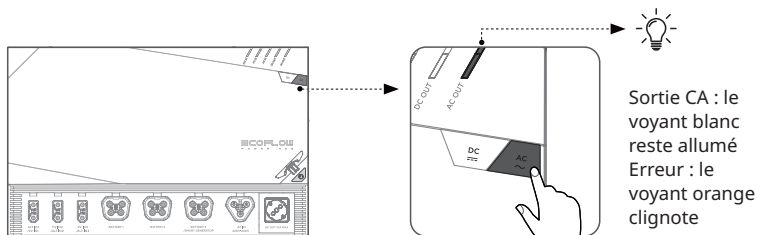
Sortie CC

Lorsque l'alimentation est sous tension, appuyez brièvement sur le bouton CC pour activer la sortie CC. Pour désactiver la sortie CC, appuyez à nouveau brièvement sur le bouton CC.



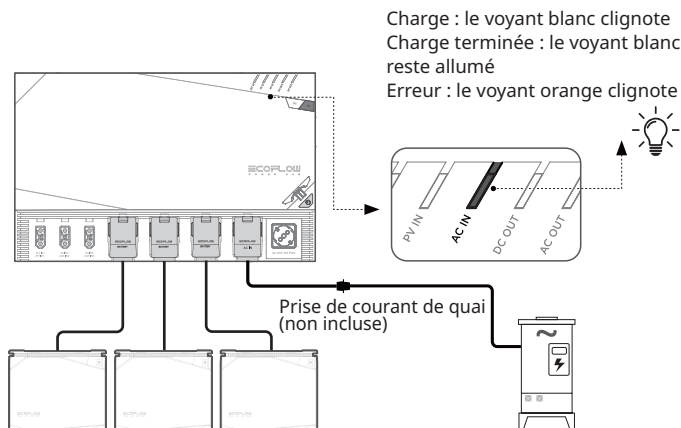
Sortie CA

Lorsque l'alimentation est sous tension, appuyez brièvement sur le bouton CA pour activer la sortie CA. Pour désactiver la sortie CA, appuyez à nouveau brièvement sur le bouton CA. Lorsque le concentrateur d'alimentation est en mode Veille, désactivez la sortie CA pour éviter la perte de puissance.



Charge CA

Le concentrateur d'alimentation EcoFlow est doté de la technologie de charge rapide EcoFlow X-Stream. La puissance de charge CA maximale est de 3 000 W et le courant de charge CA maximal est de 15 A. L'utilisateur peut régler le courant de charge via l'application EcoFlow ou la console du kit d'alimentation. Le courant de charge par défaut est de 10 A.



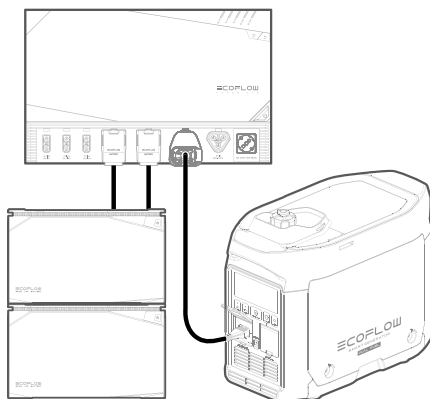
EcoFlow n'est pas responsable des dommages causés par l'utilisation de câbles de charge non fournis par EcoFlow.

Chargement du générateur intelligent EcoFlow

Les kits d'alimentation peuvent être rechargés en utilisant différents câbles connectés à la sortie CA ou CC du générateur intelligent EcoFlow.

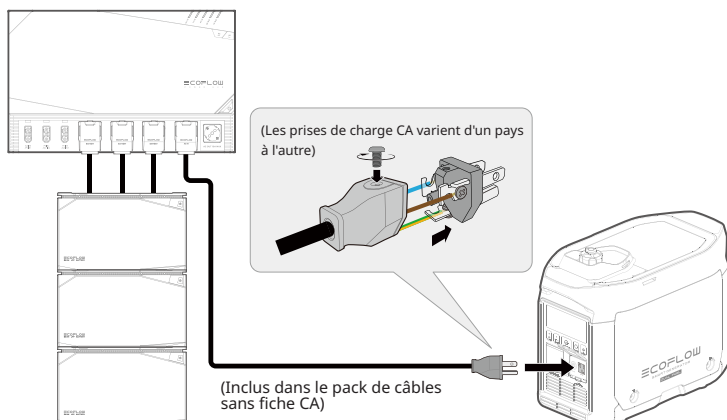
Charge CC

Raccordez le générateur intelligent EcoFlow au concentrateur d'alimentation avec le câble de connexion de batterie supplémentaire de 5 m/16.4 pieds (Le Smart Generator, le câble de charge DC et l'adaptateur sont vendus séparément.).



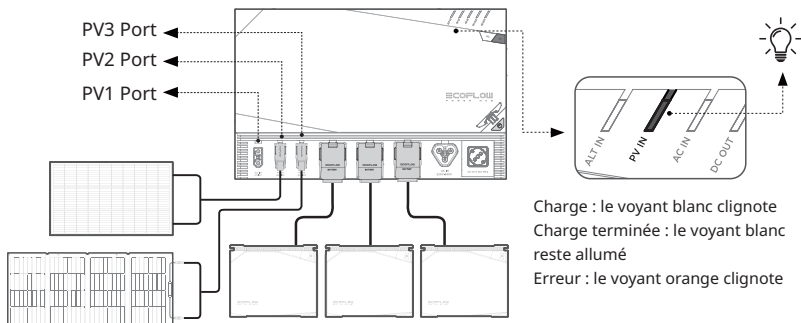
Charge CA

Raccordez le générateur intelligent EcoFlow au concentrateur d'alimentation avec le câble de charge CA.



Charge solaire

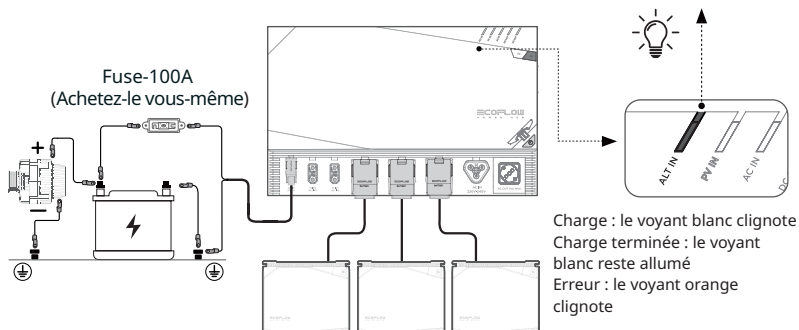
Le Power Hub possède trois ports d'entrée PV (photovoltaïque), avec une puissance totale de 4800 W pour les trois ports et 1600 W pour chaque port. Toute marque de panneau solaire peut être utilisée tant qu'elle répond aux spécifications de l'entrée de charge solaire. Pour le panneau solaire rigide ou flexible EcoFlow 100w, jusqu'à 6S3P peuvent être connectés à chaque port, pour le panneau solaire rigide EcoFlow 400w, jusqu'à 4S1P ou 2S2P peuvent être connectés à chaque port, pour le panneau solaire pliable EcoFlow 400w, jusqu'à 3S1P ou 2S2P peuvent être connectés à chaque port. (S : série, P : parallèle)



Charge de l'alternateur du véhicule

Le Power Hub a trois entrées de charge d'alternateur qui supportent les alternateurs 12V, 24V ou 48V. Chaque port consomme 1600W max, le courant de charge maximum du port ALT IN1 est de 60 A, tandis que les deux autres sont de 30 A. Seul le courant de charge de ALT IN1 peut être ajusté via l'application EcoFlow ou la console du Power Kit.

Il est fortement recommandé de débrancher le connecteur du port d'entrée ALT lorsque le véhicule n'est pas utilisé pendant une longue période.



Système d'alternateur du véhicule	Tension de l'alternateur du véhicule	La charge de l'alternateur s'arrête pour protéger la batterie de démarrage du véhicule contre une décharge excessive.
12V	<13V	
24V	<26V	
48V	<52V	



1. La charge de l'alternateur du véhicule ne fonctionne que lorsque le véhicule est en mouvement. Si une charge au ralenti est nécessaire, l'utilisateur peut activer le bouton de charge au ralenti via l'application EcoFlow.
2. Connectez le port ALT IN1 en priorité pour la charge de l'alternateur du véhicule.



Priorité de la charge multiple

Le Power Hub supporte plusieurs entrées de charge simultanément, et les priorités de charge sont : la charge solaire, la charge AC, la charge de l'alternateur du véhicule et la charge du générateur intelligent EcoFlow.

Le courant de charge total au niveau du port batterie du Power Hub est limité à 100A. Lorsque la puissance d'entrée de charge est supérieure à la puissance requise par la batterie, l'entrée de charge avec une priorité inférieure réduira progressivement le courant de charge ou même arrêtera la charge.

Fonction X-Boost

Grâce à la technologie EcoFlow X-Boost, ce produit peut alimenter un appareil d'une puissance maximale de 5200 W (pour les appareils de chauffage uniquement) alors que la puissance de sortie nominale reste de 3600 W, évitant ainsi les pannes de fonctionnement dues à la protection contre les surcharges.

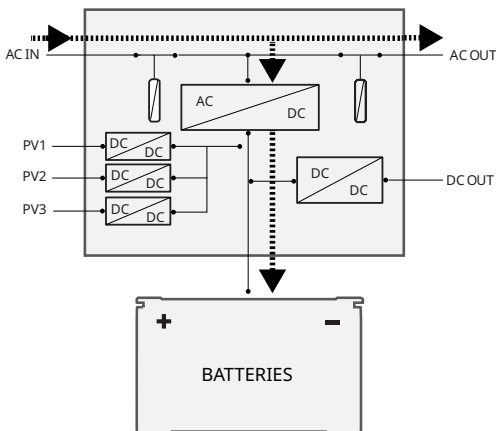


1. La fonction X-Boost n'est pas disponible lorsque la sortie CA est en mode Dérivation.
2. La fonction X-Boost ne convient pas à tous les appareils. La fonction X-Boost est plus adaptée aux appareils de chauffage et à moteur. Elle ne convient pas à certains appareils équipés d'une protection de tension, tels que les instruments de précision. La prise en charge ou non de la fonction X-Boost dépend de l'état réel.

Mode Dérivation

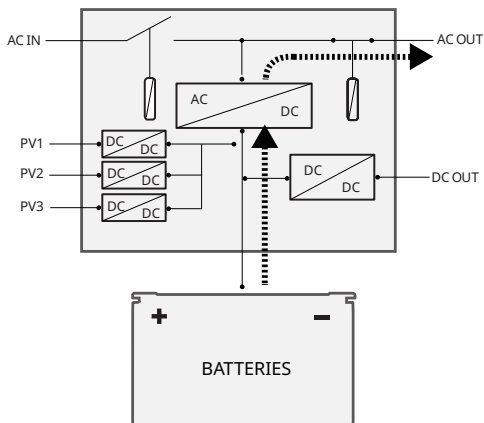
Lorsque le produit est connecté au CA externe et que la sortie CA est activée, le système entre en mode de dérivation. La sortie CA est alimentée par l'alimentation CA externe et la batterie LFP est chargée par l'alimentation CA externe.

Lorsque le courant alternatif externe n'est pas disponible, ce produit passe automatiquement en mode inverseur, la sortie CA rétablit la puissance dans les 30 ms.



Mode Onduleur

Lorsqu'il n'y a pas d'alimentation CA externe disponible, l'onduleur fournit une alimentation CA sur la sortie CA.



Mode Veille

Lorsque la sortie CA et la sortie CC du produit sont continuellement éteintes et qu'il n'y a pas d'entrée de charge pendant 20 secondes, il entre en mode veille pour réduire la consommation d'énergie et le système peut être réveillé en appuyant sur le bouton DC OUT ou AC OUT.



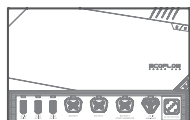
Le concentrateur d'alimentation n'entrera pas en mode Veille pendant la mise à niveau du micrologiciel.

FAQ

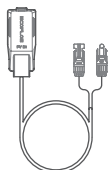
- 1. Puis-je raccorder des panneaux photovoltaïques autres qu'ECOFLOW ?**
Oui, le Power hub possède trois entrées de charge PV indépendantes, et les utilisateurs sont libres de choisir n'importe quelle marque et n'importe quel modèle de panneau PV.
- 2. À quels scénarios ce produit s'applique-t-il ?**
Les scénarios d'application incluent, mais sans s'y limiter, les habitations, les camping-cars et les cabines.
- 3. Les paramètres d'entrée et de sortie de ce produit s'appliquent-ils aux normes d'utilisation de l'électricité de tous les pays ?**
Oui. Des versions basse tension et haute tension de ce produit sont disponibles, qui couvrent les normes d'utilisation de l'électricité de tous les pays.
- 4. Quelles sont les méthodes de charge et de décharge de ce produit ?**
Les méthodes de charge comprennent : charge CA, charge d'alternateur de véhicule, charge de générateur intelligent et charge solaire. La méthode de décharge est la sortie CA/CC.
- 5. Quels appareils peuvent se connecter au port de sortie CA de ce produit ?**
La puissance nominale du port de sortie CA de ce produit est de 3600 W, et la puissance de surtension est de 7200 W. Il peut alimenter la plupart des appareils électroménagers. Cependant, nous vous recommandons de vérifier la puissance des appareils avant utilisation et de vous assurer que la puissance totale de tous les appareils chargés est inférieure à la puissance nominale.
- 6. Comment nettoyer ce produit ?**
Utilisez un chiffon sec, doux et propre ou une serviette en papier pour essuyer le produit.
- 7. Comment entreposer ce produit ?**
Avant de stocker le produit, mettez-le hors tension, puis entreposez-le dans un endroit sec et bien ventilé à l'intérieur. Ne placez pas ce produit près d'une source d'eau.

Contenu de la boîte

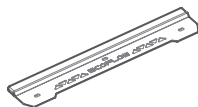
Concentrateur
d'alimentation ×1



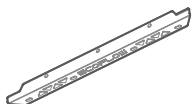
Câble de charge solaire
(6 mètres/20 pieds) × 1



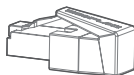
Kit de montage
(arrière)×1



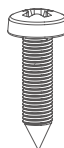
Kit de montage (Top /
bas)×2



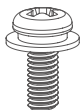
Terminaison de bus
CAN RJ-45 × 2



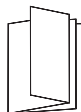
M5*20 (13 pc)



M5*10 (8 pc)



Manuel d'utilisation ×1
Fiche de garantie × 1
Guide de démarrage rapide ×1



ENTRETIEN ET MAINTENANCE

1. Utilisez ou stockez ce produit dans un environnement où la température est comprise entre -25 °C (-13 °F) et 60 °C (140 °F) et éloignez-le des sources d'eau, des sources de chaleur et des objets métalliques. -25 °C à 60 °C (-13 °F à 140 °F)
2. Pour des raisons de sécurité, ne stockez pas ce produit dans un environnement où la température est supérieure à 45 °C (113 °F) ou inférieure à 0 °C (32 °F) pendant une durée prolongée.

Déclaration de la FCC

Cet appareil est conforme à la partie 15 du règlement de la FCC. Le fonctionnement est soumis aux deux conditions suivantes :

- (1) Cet appareil ne doit pas causer d'interférences nuisibles et
- (2) Cet appareil doit accepter toute interférence reçue, y compris les interférences susceptibles de provoquer un fonctionnement indésirable.

Avertissement : les changements ou modifications non expressément approuvés par la partie responsable de la conformité pourraient annuler l'autorité de l'utilisateur à faire fonctionner l'équipement.

REMARQUE : cet équipement a été testé et déclaré conforme aux limites d'un appareil numérique de classe A, conformément à la partie 15 du règlement de la FCC. Ces limites sont conçues pour fournir une protection raisonnable contre les interférences nuisibles lorsque l'équipement est utilisé dans un environnement commercial. Cet équipement génère, utilise et peut émettre de l'énergie de radiofréquence et, s'il n'est pas installé et utilisé conformément au manuel d'instructions, peut causer des interférences nuisibles aux communications radio. L'utilisation de cet équipement dans une zone résidentielle est susceptible de provoquer des interférences nuisibles, auquel cas l'utilisateur devra corriger les interférences à ses propres frais.

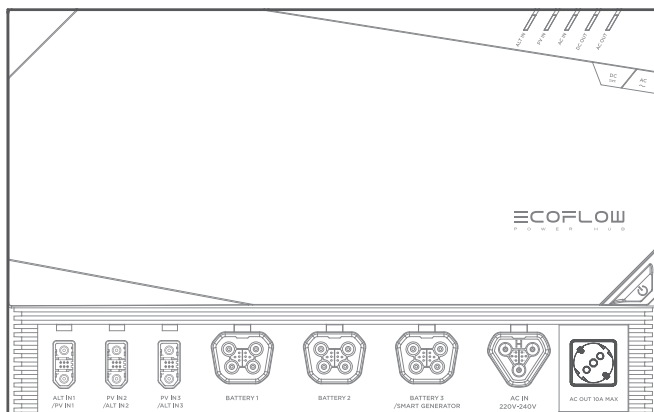
Déclaration d'exposition aux rayonnements de la FCC :

Cet équipement est conforme aux limites d'exposition aux rayonnements de la FCC établies pour un environnement non contrôlé. Cet équipement doit être installé et utilisé avec une distance minimale de 20 cm entre le radiateur et votre corps.

≡ COFLOW

POWER HUB

Manuale d'uso v1.2



EFM100-HUB

Esclusione di responsabilità

Leggere attentamente il presente manuale d'uso prima di utilizzare il prodotto per accertarsi di aver compreso completamente il prodotto e di poterlo utilizzare correttamente. Dopo aver letto il presente manuale d'uso, conservarlo correttamente per riferimenti futuri. L'uso improprio del prodotto può causare gravi lesioni a se stessi o ad altri, o causare danni al prodotto e perdita di proprietà. Una volta che si utilizza il prodotto, si ritengono compresi, approvati e accettati tutti i termini e il contenuto del presente documento. EcoFlow non è responsabile di eventuali perdite dovute a un utilizzo del prodotto da parte dell'utente non conforme alle istruzioni riportate nel manuale d'uso.

In ottemperanza a leggi e regolamenti, EcoFlow si riserva il diritto di interpretazione finale del presente documento e di tutti i documenti correlati di questo prodotto. Il presente documento è soggetto a modifiche (aggiornamenti, revisioni o cessazione) senza preavviso. Visitare il sito Web ufficiale di EcoFlow per ottenere informazioni aggiornate sul prodotto.

Sommario

Specifiche tecniche	1
Istruzioni di sicurezza	2
APP EcoFlow	3
Per iniziare	3
Sistema	3
Panoramica dei dettagli del prodotto	5
Collegamento delle terminazioni bus CAN	6
UTILIZZO DEL PRODOTTO	8
Accensione/spengimento	8
Output CC	8
Output CA	9
Ricarica CA	9
Ricarica del generatore intelligente	10
Ricarica solare	10
Ricarica con l'alternatore del veicolo	10
Funzione X-Boost	11
Modalità bypass	11
Modalità invertitore	11
Modalità standby	11
Domande frequenti	13
Cosa c'è nella scatola	14
CURA E MANUTENZIONE	15
Dichiarazione FCC	15

Specifiche tecniche

Informazioni di base

Peso netto	14 kg (31 libbre)
Dimensioni (L × P × A)	48 cm × 14 cm × 30 cm (18.9" × 5.5" × 11.8")
Wi-Fi	Supportato (<120 metri)
Bluetooth (v4.0)	Supportato (<15 metri)

Specifiche di output

Output CA	Onda sinusoidale pura, 3600 W in totale (sovracorrente 7200 W, 100 ms), 230 V, 50 Hz Derating lineare a 1800 W quando 40°C (104°F) < Temperatura ambiente < 60°C (140°F) Derating a 3000 W quando tensione della batteria < 49 V
Massima potenza supportata da X-Boost	5200 W
Output CC	13.6 V 70 A, potenza massima: 1000 W oppure 26.4 V 60 A, potenza massima: 1600 W

Specifiche di input

Potenza in input CA	La ricarica rapida X-Stream supporta una potenza massima di 3000 W e una corrente massima di 15 A.
Voltaggio input CA	220–240 V, 50 Hz/60 Hz
Input alternatore 2/3	13–60 V 30 A, potenza massima: 1600 W
Input FV 2/3	15–60 V 30 A, potenza massima: 1600 W
Input alternatore 1	13–60 V 60 A, potenza massima: 1600 W
Input FV 1	15–60 V 30 A, potenza massima: 1600 W

Specifiche pacco batterie

Porta batteria (x3)	40-60 V totale 100 A, supporta fino a tre batterie 2KWH LFP o 5KWH LFP, vendute separatamente. (Non si consiglia di utilizzare un Power Hub con una EFM100-BPB e una da EFM100-BP contemporaneamente.)
---------------------	---

Ambiente operativo

Temperatura di esercizio	Da -25°C a 60°C (da -13°F a 140°F)
Temperatura di conservazione	Da -25°C a 60°C (da -13°F a 140°F)

Altro

Generatore intelligente EcoFlow	1800 W di potenza massima di ricarica, venduto separatamente.
---------------------------------	---



Istruzioni di sicurezza

1. CONSERVARE QUESTE ISTRUZIONI – Il presente manuale contiene importanti istruzioni di sicurezza e operative
2. Prima di utilizzare la funzione caricabatteria, leggere tutte le istruzioni e le avvertenze relative al caricabatteria, alla batteria e al prodotto che utilizza la batteria.
3. ATTENZIONE – Per ridurre il rischio di lesioni, caricare esclusivamente batterie ricaricabili di tipo LiFePO4. Altri tipi di batterie possono esplodere causando lesioni personali e danni.
4. Questo è un prodotto della classe di sicurezza I (fornito con un terminale di messa a terra di protezione). La messa a terra di protezione continua deve essere fornita ai terminali di input e/o di output CA. In alternativa si può utilizzare il punto di messa a terra posto esternamente al prodotto. Ogni volta che è probabile che la protezione di messa a terra sia stata danneggiata, il prodotto deve essere spento e messo in sicurezza contro il funzionamento involontario; si prega di contattare personale di servizio qualificato.
5. Per prevenire incendi, cortocircuiti e scosse elettriche, non installare il prodotto in ambienti con elevata umidità, alte temperature o contaminanti conduttivi.
6. Prima di installare il prodotto, scollegare l'alimentazione principale. Non operare con l'alimentazione in tensione.
7. Tenere il prodotto lontano da fonti di calore, come fiamme libere o forni di riscaldamento.
8. Tenere il prodotto lontano da qualsiasi tipo di liquido. Non immergere il prodotto in acqua e non bagnarlo. Non utilizzare il prodotto sotto la pioggia o in ambienti umidi.
9. Non utilizzare il prodotto in ambienti con forte elettricità statica o campi magnetici.
10. Non smontare in alcun modo il prodotto e non perforarlo con oggetti appuntiti.
11. Non utilizzare fili o altri oggetti metallici che potrebbero causare un cortocircuito.
12. Non utilizzare componenti o accessori non ufficiali. Se è necessario sostituire componenti o accessori, acquistarli dai canali di vendita ufficiali di EcoFlow.
13. Quando si utilizza il prodotto, rispettare rigorosamente la temperatura ambiente per l'uso riportata nel presente manuale d'uso.
14. Non impilare altri oggetti pesanti sul prodotto.
15. Non bloccare forzatamente la ventola durante l'uso del prodotto o posizionare il prodotto in un'area non ventilata o polverosa.
16. Evitare urti, cadute o forti vibrazioni durante l'utilizzo del prodotto. In caso di forte impatto esterno, disattivare immediatamente l'alimentazione e sospendere l'utilizzo del prodotto. Assicurarsi che il prodotto sia ben fissato durante il trasporto per evitare vibrazioni e urti.
17. Se il prodotto cade accidentalmente in acqua durante l'uso, riporlo in un luogo aperto e sicuro e restare lontani fino a completa asciugatura. Il prodotto essiccato non può essere riutilizzato e deve essere smaltito correttamente secondo il metodo descritto nel manuale d'uso della batteria EcoFlow. Se il prodotto prende fuoco, si consiglia di utilizzare gli estintori nel seguente ordine: acqua o acqua nebulizzata, sabbia, coperta antincendio, polvere secca ed estintore ad anidride carbonica.
18. Se è presente dello sporco sulle porte del prodotto, pulirlo con un panno asciutto.
19. Posizionare il prodotto con attenzione per evitare danni causati da una sua eventuale caduta. Se il prodotto cade e riporta danni gravi, spegnerlo immediatamente.
20. Tenere il prodotto fuori dalla portata di bambini e animali domestici.

APP EcoFlow



Controlla, monitora e personalizza le tue soluzioni di alimentazione modulari da lontano con l'app EcoFlow. Download all'indirizzo: <https://download.ecoflow.com/app>

Informativa sulla privacy

Utilizzando i Prodotti, le Applicazioni e i Servizi EcoFlow, l'utente accetta le Condizioni d'uso e l'Informativa sulla privacy di EcoFlow, a cui può accedere tramite la sezione "Informazioni" della pagina "Utente" sull'App EcoFlow o sul sito web ufficiale di EcoFlow all'indirizzo <https://www.ecoflow.com/policy/terms-of-use> e <https://www.ecoflow.com/policy/privacy-policy>



1. Il Bluetooth di questo prodotto può essere collegato solo con un account dell'App EcoFlow; se è necessario collegare il prodotto con un altro account, è possibile ripristinare il Bluetooth tramite l'App o premendo a lungo il pulsante CC del prodotto per 3 secondi.
2. Questo prodotto SUPPORTA SOLO il WiFi a 2,4 GHz.

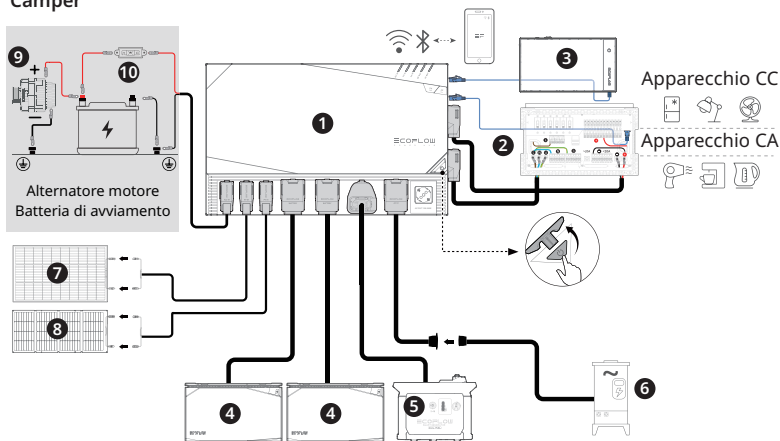
Per iniziare

Panoramica del sistema

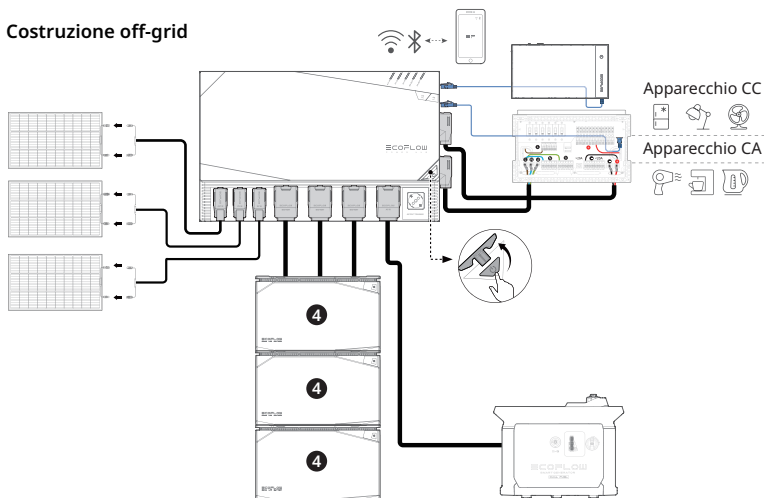


1. Se il prodotto è installato in uno spazio chiuso, la ventilazione è **ASSOLUTAMENTE NECESSARIA** per evitare il surriscaldamento e il sovraccarico del prodotto.
2. Per motivi di sicurezza, installare un interruttore di circuito per guasto a terra (GFCI), noto anche come dispositivo di corrente residua (RCD) nell'input CA e nell'output CA dell'Hub di alimentazione. Fare riferimento alle normative locali vigenti in materia di messa a terra dei sistemi di alimentazione autonomi.
3. Prima di collegare il prodotto alla batteria EcoFlow LFP, assicurarsi che non vi sia alcun input di ricarica collegato all'HUB di alimentazione e che la batteria LFP sia spenta.
4. Non è consigliabile utilizzare un Power Hub con una batteria LFP da EFM100-BPB e una da EFM100-BP contemporaneamente.
5. È sconsigliabile collegare o scollegare la batteria LFP quando il sistema è acceso.

Camper



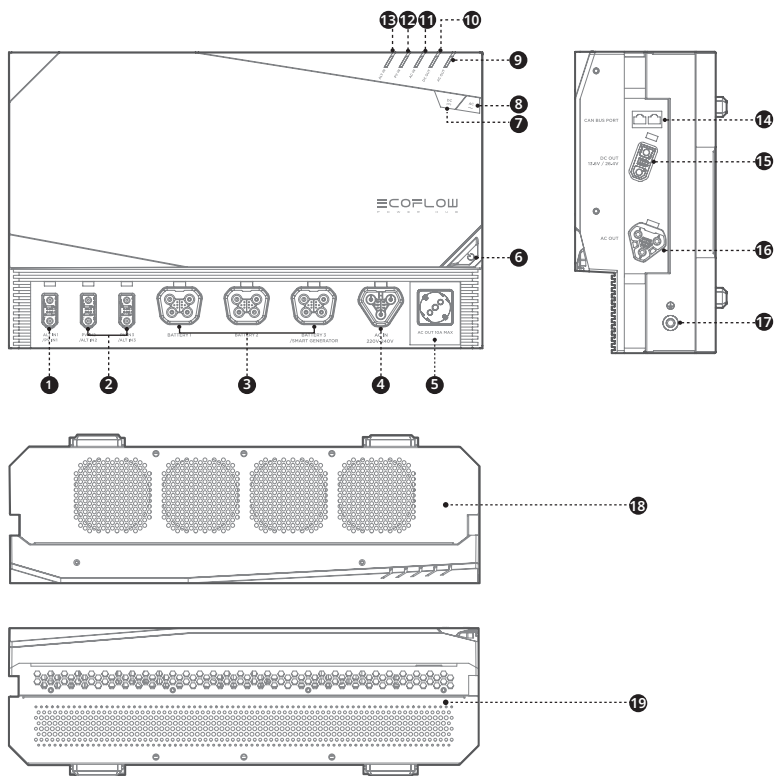
Costruzione off-grid



1. Hub di alimentazione EcoFlow
2. Pannello di distribuzione intelligente CA/CC
3. Console per kit di alimentazione
4. Batteria EcoFlow 5KWH/2KWH LFP
5. Generatore intelligente EcoFlow

6. Rete elettrica del campeggio
7. Pannello solare rigido o flessibile
8. Pannello solare pieghevole/portatile
9. Alternatore del veicolo
10. Fuse-100A (Compralo da solo)

Panoramica dei dettagli del prodotto



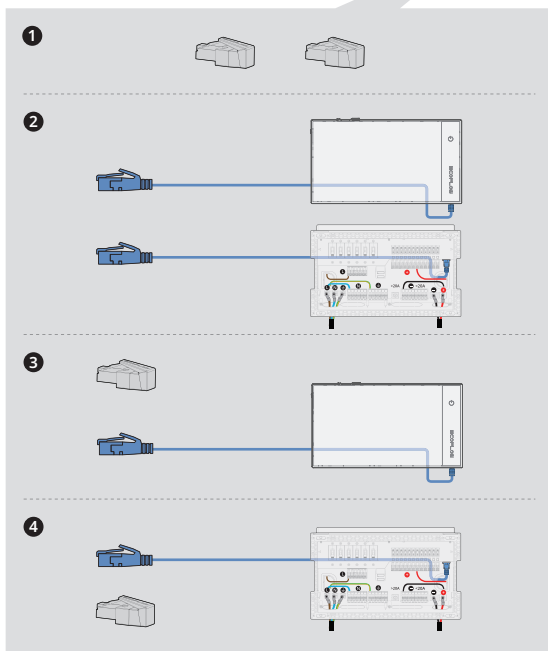
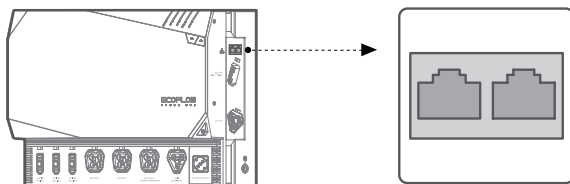
1. Porta ALT IN / FV IN 1
2. Porta FV IN /ALT IN 2/3
3. Porta batteria 1/2/3 / porta generatore intelligente
4. Porta CA IN
5. Porta CA OUT (10 A)
6. Tasto di accensione
7. Pulsante CC OUT

8. Pulsante CA OUT
9. Indicatore di uscita CA
10. Indicatore di uscita CC
11. Indicatore ingresso CA
12. Indicatore ingresso FV
13. Indicatore ALT IN
14. Porte COMM BUS CAN RJ45
15. Porta di uscita CC principale

16. Porta di uscita CA principale
17. Terminale di messa a terra
18. Uscita aria
19. Presa d'aria

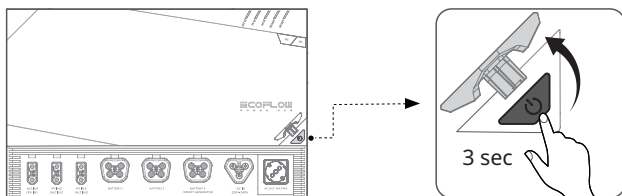
Collegamento delle terminazioni bus CAN

Per garantire la qualità della comunicazione, questo prodotto è dotato di due porte RJ45 CAN Bus, ciascuna delle quali può essere collegata al pannello di distribuzione intelligente CA/CC, alla console Power Hub o al terminatore RJ45 CAN bus. Entrambe le porte devono essere collegate per stabilizzare la comunicazione in tutto il sistema. In caso contrario, il sistema potrebbe non funzionare correttamente.



Utilizzo del prodotto

Accensione/spengimento



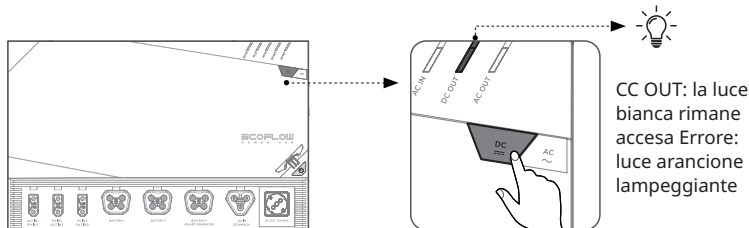
	Cinque indicatori (Angolo in alto a destra)	Indicatore di alimentazione principale
Accensione	Cinque indicatori si accendono da sinistra a destra, lampeggiano 3 volte e rimangono spenti.	Luce del respiro
Spengimento	Cinque indicatori lampeggiano 3 volte e rimangono spenti.	Si spegne



1. Dopo aver premuto il pulsante di spegnimento, prima di effettuare ulteriori operazioni attendere 5 secondi per consentire al sistema di spegnersi completamente.
2. Assicurarsi che non vi sia alcun ingresso di ricarica collegato all'hub di alimentazione prima di spegnere i Power Kit.

Output CC

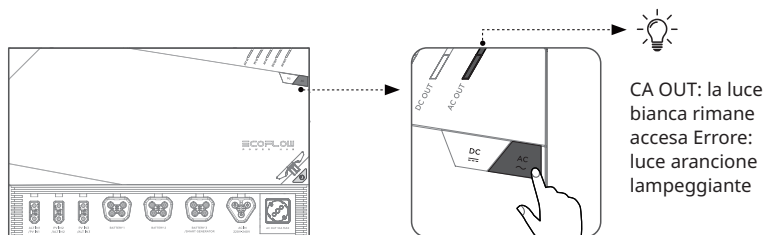
Quando l'alimentazione è accesa, premere brevemente il pulsante CC per abilitare l'output CC. Per disabilitare l'output CC, premere di nuovo brevemente il pulsante CC.



Output CA

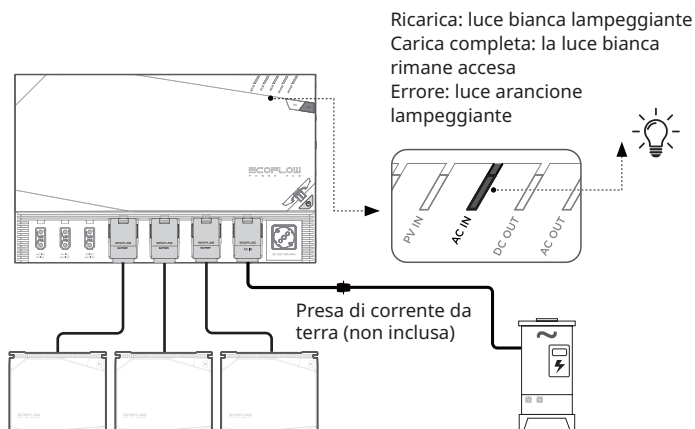
Quando l'alimentazione è accesa, premere brevemente il pulsante CA per abilitare l'output CA. Per disabilitare l'output CA, premere di nuovo brevemente il pulsante CA.

Quando l'Hub di alimentazione è in modalità inattiva, disattivare l'output CA per evitare la perdita di potenza.



Ricarica CA

L'Hub di alimentazione EcoFlow è dotato della tecnologia di ricarica rapida EcoFlow X-Stream. La potenza massima di carica CA è 3000 W e la corrente di carica CA massima è 15 A. L'utente può regolare la corrente di carica tramite l'app EcoFlow o la console Power Kit. La corrente di carica di default è 10 A.



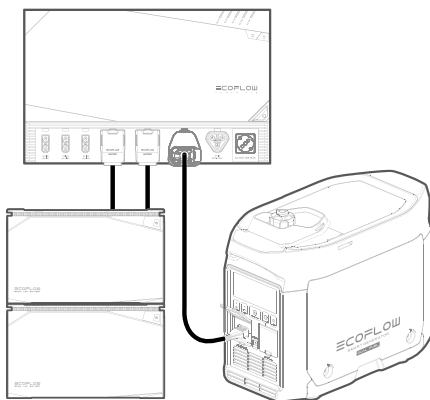
EcoFlow non è responsabile per danni causati dall'uso di cavi di ricarica non forniti da EcoFlow.

Ricarica del generatore intelligente EcoFlow

I Power Kit possono essere ricaricati utilizzando diversi cavi collegati all'uscita CA o CC di EcoFlow Smart Generator.

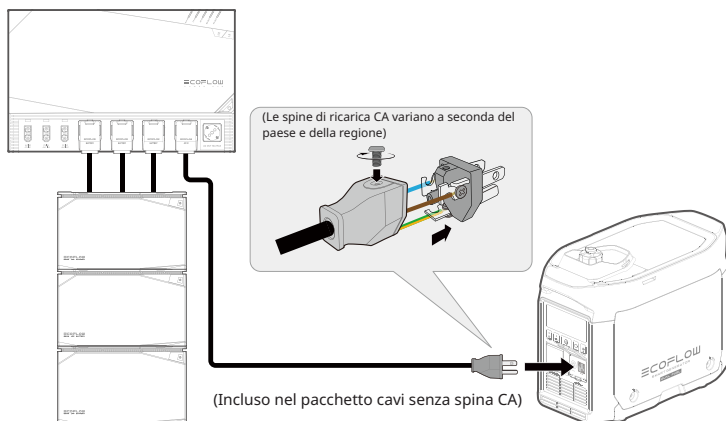
Ricarica CC

Collegare il generatore intelligente EcoFlow all'HUB DI ALIMENTAZIONE con il cavo di collegamento batteria aggiuntivo da 5 m/16.4 piedi (Il generatore intelligente, il cavo di ricarica CC e l'adattatore sono venduti separatamente.).



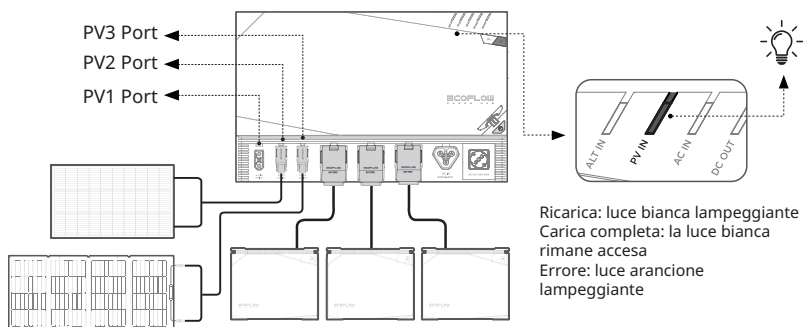
Ricarica CA

Collegare il generatore intelligente EcoFlow all'HUB DI ALIMENTAZIONE con il cavo di ricarica CA.



Ricarica solare

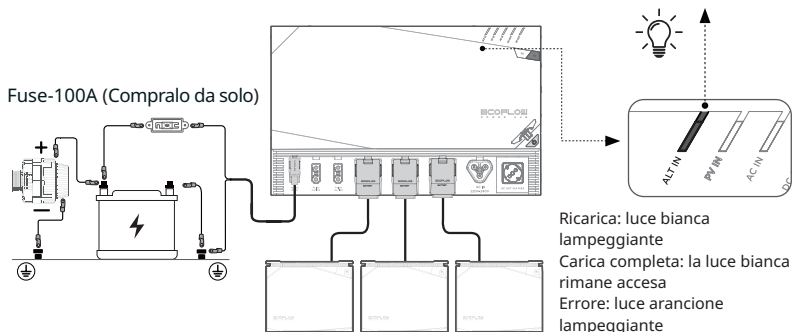
Il Power Hub dispone di tre porte di ingresso fotovoltaiche, con una potenza totale di 4800 W per le tre porte e 1600 W per ciascuna porta. È possibile utilizzare qualsiasi marca di pannello solare, purché sia conforme alle specifiche dell'ingresso di ricarica solare. Per il pannello solare rigido o flessibile EcoFlow 100w è possibile collegare fino a 6S3P a ciascuna porta, per il pannello solare rigido EcoFlow 400w è possibile collegare fino a 4S1P o 2S2P a ciascuna porta, per il pannello solare pieghevole EcoFlow 400w è possibile collegare fino a 3S1P o 2S2P a ciascuna porta. (S: serie, P: parallelo)



Ricarica con l'alternatore del veicolo

Il Power Hub dispone di tre ingressi per la ricarica dell'alternatore che supportano alternatori da 12, 24 o 48 V. Ogni porta assorbe 1600 W max. Ogni porta assorbe 1600Wmax, la corrente di carica massima della porta ALT IN1 è di 60 A, mentre quella delle altre due è di 30 A. Solo la corrente di carica di ALT IN1 può essere regolata tramite l'app EcoFlow o la console Power Kit.

Si consiglia vivamente di scollegare il connettore della porta ALT IN quando il veicolo non viene utilizzato per lungo tempo.



Sistema di alternatori del veicolo	Tensione dell'alternatore del veicolo	La carica dell'alternatore si interrompe per proteggere la batteria di avviamento del veicolo da una scarica eccessiva.
12V	<13V	
24V	<26V	
48V	<52V	



1. La ricarica dell'alternatore del veicolo funziona solo quando il veicolo è in movimento. Se è necessaria una ricarica al minimo, l'utente può attivare il pulsante di ricarica al minimo tramite l'APP EcoFlow.
2. Collegare la porta ALT IN1 come priorità per la ricarica dell'alternatore del veicolo.



Priorità di ricarica multipla

Power Hub supporta più ingressi di carica simultaneamente e le priorità di carica sono: carica solare, carica CA, carica dell'alternatore del veicolo e carica del generatore intelligente EcoFlow.

La corrente di carica totale sulla porta della batteria del Power Hub è limitata a 100A. Quando la potenza di carica in ingresso è superiore a quella richiesta dalla batteria, l'ingresso di carica con priorità inferiore ridurrà la corrente di carica senza problemi o addirittura interromperà la carica.

Funzione X-Boost

Grazie alla tecnologia EcoFlow X-Boost, questo prodotto è in grado di alimentare un dispositivo da 5200 W Max (solo per apparecchi di riscaldamento) mentre la potenza nominale in uscita rimane di 3600 W, evitando così l'interruzione del funzionamento a causa della protezione da sovraccarico.

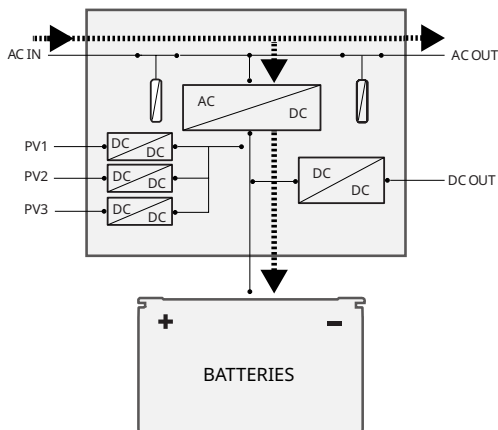


1. La funzione X-Boost non è disponibile quando l'output CA è in modalità bypass.
2. La funzione X-Boost non è adatta a tutti gli apparecchi. La funzione X-Boost è più adatta a dispositivi di riscaldamento e motori. Non si addice ad alcuni apparecchi con protezione da tensione, come gli strumenti di precisione. Il fatto che un dispositivo supporti la funzione X-Boost dipende dalle condizioni effettive.

Modalità bypass

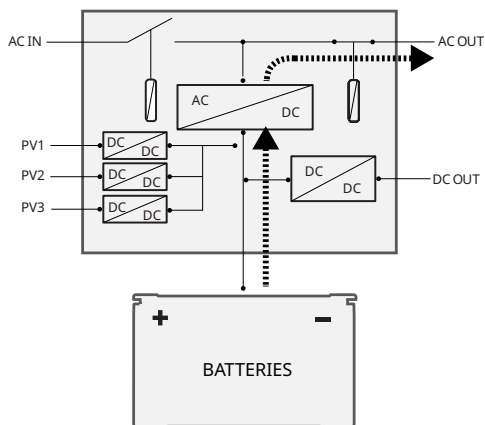
Quando il prodotto è collegato alla rete CA esterna e l'uscita CA è attivata, il sistema entra in modalità bypass. L'uscita CA viene alimentata dall'alimentazione CA esterna e la batteria dell'LFP viene caricata dall'alimentazione CA esterna.

Quando la corrente alternata esterna non è disponibile, il prodotto passa automaticamente alla modalità inverter e l'uscita della corrente alternata ripristina l'alimentazione entro 30 secondi.



Modalità invertitore

Quando non è disponibile l'alimentazione CA esterna, l'invertitore fornisce alimentazione CA sull'output CA.



Modalità standby

Quando l'uscita CA e l'uscita CC del prodotto sono continuamente spente e non vi è alcun ingresso di ricarica per 20 secondi, entra in modalità standby per ridurre il consumo di energia e il sistema può essere risvegliato premendo il pulsante DC OUT o AC OUT.



Durante l'aggiornamento del firmware, l'HUB di alimentazione non entra in modalità standby.

Domande frequenti

1. Posso collegare pannelli fotovoltaici non ECOFLOW?

Sì, il Power hub dispone di tre ingressi di ricarica fotovoltaici indipendenti e gli utenti sono liberi di scegliere qualsiasi marca e modello di pannello fotovoltaico.

2. In quali scenari si applica questo prodotto?

Gli scenari applicativi includono (ma non sono limitati a) case, camper e cabine.

3. I parametri di input e di output del prodotto si applicano agli standard di utilizzo dell'elettricità di tutti i Paesi?

Sì. Del prodotto sono disponibili versioni sia a bassa che ad alta tensione. Sono quindi coperti gli standard di utilizzo dell'elettricità di tutti i Paesi.

4. Quali sono i metodi di ricarica e scaricamento di questo prodotto?

I metodi di ricarica includono: ricarica CA, ricarica dall'alternatore del veicolo, ricarica con generatore intelligente e ricarica solare. Lo scaricamento avviene attraverso l'output CA/CC.

5. Quali dispositivi possono essere collegati alla porta di output CA del prodotto?

La potenza nominale della porta di output CA del prodotto è 3600 W e la sovracorrente è pari a 7200 W. L'output è in grado di fornire energia alla maggior parte degli elettrodomestici. Ad ogni modo, si consiglia di verificare la potenza degli apparecchi prima dell'uso e di assicurarsi che la potenza totale di tutti i dispositivi caricati sia inferiore alla potenza nominale.

6. Come si pulisce il prodotto?

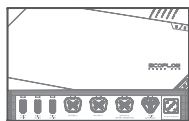
Per pulire il prodotto, si può utilizzare un panno asciutto, morbido e pulito o un tovagliolo di carta.

7. Come si conserva il prodotto?

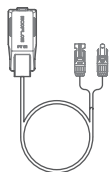
Prima della conservazione, spegnere il prodotto, quindi conservarlo in un luogo asciutto e ben ventilato situato in un ambiente interno. Non posizionare il prodotto vicino a una fonte d'acqua.

Cosa c'è nella scatola

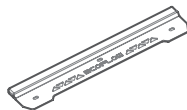
HUB di alimentazione ×1



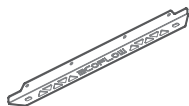
Cavo di carica solare (6 metri/20 piedi) ×1



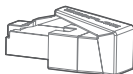
Kit di montaggio (posteriore) ×1



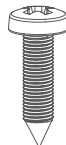
Kit di montaggio (In alto / inferiore) ×2



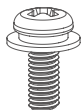
Terminazione bus CAN RJ-45 ×2



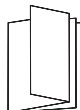
M5*20 (13 pezzi)



M4*10 (8 pezzi)



Manuale d'uso ×1
Scheda di garanzia ×1
Guida rapida ×1



CURA E MANUTENZIONE

1. Utilizzare o conservare il prodotto in un ambiente con una temperatura compresa tra -25°C (-13°F) e 60°C (140°F) e tenerlo lontano da fonti d'acqua, fonti di calore e oggetti metallici. Da -25°C a 60°C (da -13°F a 140°F)
2. Per motivi di sicurezza, non conservare il prodotto per periodi prolungati in un ambiente in cui la temperatura è superiore a 45°C (113°F) o inferiore a 0°C (32°F).

Dichiarazione FCC

Questo dispositivo è conforme alla Sezione 15 delle Norme FCC. L'utilizzo è soggetto alle due seguenti condizioni:

- (1) Questo dispositivo non deve causare interferenze dannose e
- (2) deve ammettere qualsiasi interferenza ricevuta, comprese le interferenze che potrebbero causare un funzionamento indesiderato.

Attenzione: cambiamenti o modifiche non espressamente approvati dalla parte responsabile della conformità potrebbero invalidare il diritto dell'utente a utilizzare l'apparecchiatura.

NOTA: questa apparecchiatura è stata testata ed è risultata conforme ai limiti per un dispositivo digitale di Classe A, ai sensi della Sezione 15 delle Norme FCC. Questi limiti sono progettati per fornire una protezione ragionevole contro le interferenze dannose quando l'apparecchiatura viene utilizzata in un ambiente commerciale. L'apparecchiatura genera, utilizza e può irradiare energia a radiofrequenza e, se non installata e utilizzata in conformità con il manuale di istruzioni, può causare interferenze dannose alle comunicazioni radio. È probabile che il funzionamento dell'apparecchiatura in un'area residenziale provochi interferenze dannose, nel qual caso l'utente dovrà correggere l'interferenza a proprie spese.

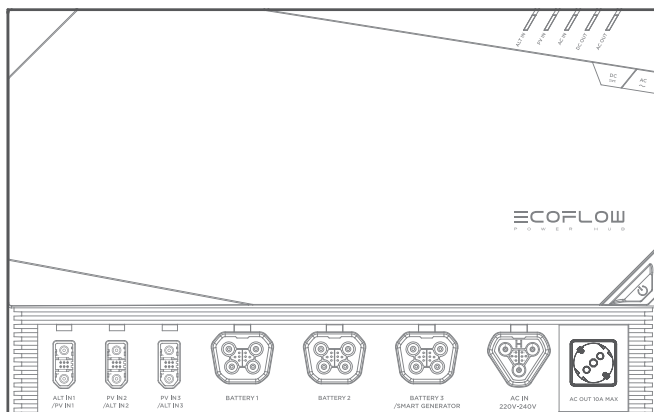
Dichiarazione FCC sull'esposizione alle radiazioni:

Questa apparecchiatura è conforme ai limiti di esposizione alle radiazioni FCC stabiliti per un ambiente non controllato. Questa apparecchiatura deve essere installata e utilizzata con una distanza minima di 20 cm tra il radiatore e il corpo.

≡ COFLOW

POWER HUB

Manual de usuario V1.2



EFM100-HUB

Descargo de responsabilidad

Lea este manual de usuario detenidamente antes de usar el producto para asegurarse de que comprende completamente el producto y puede usarlo correctamente. Después de leer este manual de usuario, guárdelo bien para futuras consultas. El uso inadecuado de este producto puede causar lesiones graves a usted mismo o a otros, o causar daños al producto y a la propiedad. Una vez que utilice este producto, se considera que comprende, aprueba y acepta todas las condiciones y el contenido de este documento. EcoFlow no es responsable de ninguna pérdida causada por la incapacidad del usuario para utilizar el producto de conformidad con este manual de usuario.

De conformidad con la ley y la normativa, EcoFlow se reserva el derecho de interpretación final de este documento y de todos los documentos relacionados con el producto. Este documento es susceptible de cambios (actualizaciones, revisiones o retirada) sin previo aviso. Visite el sitio web oficial de EcoFlow para obtener la información más reciente sobre el producto.

Tabla de contenido

Especificaciones técnicas	1
Instrucciones de seguridad	2
Aplicación EcoFlow	3
Primeros pasos	3
Sistema de producto	3
Descripción de los detalles del producto	5
Conexión de terminadores de bus CAN	6
USO DEL PRODUCTO	8
Encendido/apagado	8
Salida de CC	8
Salida de CA	9
Carga de CA	9
Carga del generador inteligente	10
Carga solar	10
Carga de alternador de vehículo	11
Función X-Boost	11
Modo de derivación	11
Modo de inversor	11
Modo de espera	11
Preguntas frecuentes	13
Contenido de la caja	14
CUIDADO Y MANTENIMIENTO	15
Declaración de la FCC	15

Especificaciones técnicas

Información básica

Peso neto	14 kg (31 lbs)
Dimensiones (L × An × Al)	48 cm × 14 cm × 30 cm (18.9" × 5.5" × 11.8")
Wifi	Admitido (<120 metros)
Bluetooth (v4.0)	Admitido (<15 metros)

Especificaciones de salida

Salida de CA	Onda sinusoidal pura, 3600 W en total (sobretensión - pico 7200 W, 100 ms), 230 V, 50 Hz Reducción lineal hasta 1800 W cuando 40°C (104°F) < Temperatura ambiente < 60°C (140°F) Reducción de potencia a 3000 W cuando voltaje de la batería < 49 V
Máxima potencia admitida por X-Boost	5200 W
Salida de CC	13.6 V 70 A, potencia máxima: 1000 W o 26.4 V 60 A, potencia máxima: 1600 W

Especificaciones de entrada

Alimentación de entrada de CA	La carga rápida X-Stream admite una potencia máxima de 3000 W y una corriente máxima de 15 A.
Tensión de entrada de CA	220–240 V, 50 Hz/60 Hz
Entrada del alternador 2/3 Entrada PV 2/3	13–60 V 30 A, potencia máxima: 1600 W 15–60 V 30 A, potencia máxima: 1600 W
Entrada del alternador 1 Entrada PV 1	13–60 V 60 A, potencia máxima: 1600 W 15–60 V 30 A, potencia máxima: 1600 W

Especificaciones del paquete de baterías

Puerto de batería (x3)	40-60 V Total 100 A, admite hasta tres baterías LFP de 2 KWH o LFP de 5 KWH, que se venden por separado. (No se recomienda utilizar un Power Hub con una EFM100-BPB y EFM100-BP al mismo tiempo.)
------------------------	---

Entorno operativo

Temperatura de funcionamiento	-25 °C a 60 °C (-13 °F a 140 °F)
Temperatura de almacenamiento	-25 °C a 60 °C (-13 °F a 140 °F)

Otro

Generador inteligente EcoFlow	1800 W de potencia máxima de carga, se vende por separado.
-------------------------------	--



Instrucciones de seguridad

1. **GUARDE ESTAS INSTRUCCIONES:** Este manual contiene instrucciones importantes de seguridad y funcionamiento.
2. Antes de utilizar la función del cargador de baterías, lea todas las instrucciones y las marcas de precaución sobre el cargador de baterías, la batería y el producto que utiliza la batería.
3. **PRECAUCIÓN:** Para reducir el riesgo de lesiones, cargue solo baterías recargables de tipo LiFePO₄. Otros tipos de baterías podrían explotar y causar lesiones personales y daños.
4. Este producto tiene la clase de seguridad I (se suministra con un terminal de toma a tierra de protección). Debe haber una toma de tierra de protección ininterrumpida en los terminales de entrada y/o salida de CA. Como alternativa, se puede utilizar el punto de conexión a tierra situado en el exterior del producto. Siempre que exista la posibilidad de que la protección de la toma a tierra se haya dañado, el producto debe apagarse y asegurarse para que no funcione de forma involuntaria; póngase en contacto con el personal de servicio cualificado.
5. Para evitar incendios, cortocircuitos y descargas eléctricas, no instale este producto en entornos en los que exista mucha humedad, altas temperaturas o contaminantes conductores.
6. Antes de instalar este producto, desconecte la fuente de alimentación principal. No trabaje con energía viva.
7. Mantenga este producto lejos de fuentes de calor, como fuegos u hornos de calefacción.
8. Mantenga este producto lejos de cualquier líquido. No sumerja este producto en agua ni lo moje. No use este producto bajo la lluvia ni en ambientes húmedos.
9. No utilice este producto en entornos con electricidad estática fuerte o campos magnéticos.
10. No desmonte este producto de ninguna manera ni lo perforo con objetos afilados.
11. No use cables ni otros objetos metálicos que puedan provocar un cortocircuito.
12. No utilice componentes ni accesorios no oficiales. Si es necesario reemplazar componentes o accesorios, cómprelos en los canales de venta oficiales de EcoFlow.
13. Cumpla estrictamente la temperatura de funcionamiento indicada en este manual de usuario cuando utilice este producto.
14. No apile otros objetos pesados sobre este producto.
15. No bloquee a la fuerza el ventilador durante el uso del producto ni lo coloque en una zona sin ventilación o con polvo.
16. Evite impactos, caídas o grandes vibraciones cuando utilice el producto. En caso de un impacto externo grave, apague la fuente de alimentación inmediatamente y deje de usar el producto. Asegúrese de que el producto esté bien sujeto durante el transporte para evitar vibraciones e impactos.
17. Si el producto se cae accidentalmente al agua durante su uso, déjelo en una zona abierta segura y manténgase alejado de él hasta que esté completamente seco. El producto seco no se puede reutilizar y debe desecharse de la forma adecuada según el método que se explica en el Manual del usuario de la batería EcoFlow. Si el producto se incendia, le recomendamos que utilice estos extintores en el mismo orden que se indica: agua o neblina de agua, arena, manta ignífuga, polvo seco y extintor de dióxido de carbono.

18. Si hay suciedad en los puertos del producto, límpielos con un paño seco.
19. Coloque este producto con cuidado para evitar que se caiga y sufra daños. Si el producto se cae y está seriamente dañado, apáguelo inmediatamente.
20. Mantenga este producto fuera del alcance de los niños y las mascotas.

Aplicación EcoFlow



Controle, supervise y personalice a distancia sus soluciones energéticas modulares con la aplicación EcoFlow. Puede descargarla en: <https://download.ecoflow.com/app>

Política de privacidad

Al utilizar los productos, aplicaciones y servicios de EcoFlow, usted acepta las condiciones de uso y la política de privacidad de EcoFlow, a las que puede acceder a través de la sección "Acerca de" de la página "Usuario" de la aplicación de EcoFlow o del sitio web oficial de EcoFlow en <https://www.ecoflow.com/policy/terms-of-use> y <https://www.ecoflow.com/policy/privacy-policy>



1. El Bluetooth de este producto sólo se puede conectar con una cuenta de EcoFlow App, si necesita conectar el producto a través de otra cuenta, puede restablecer el Bluetooth a través de la App o pulsando prolongadamente el botón DC del producto durante 3 segundos.
2. Este producto SÓLO SOPORTA WiFi de 2,4 GHz.

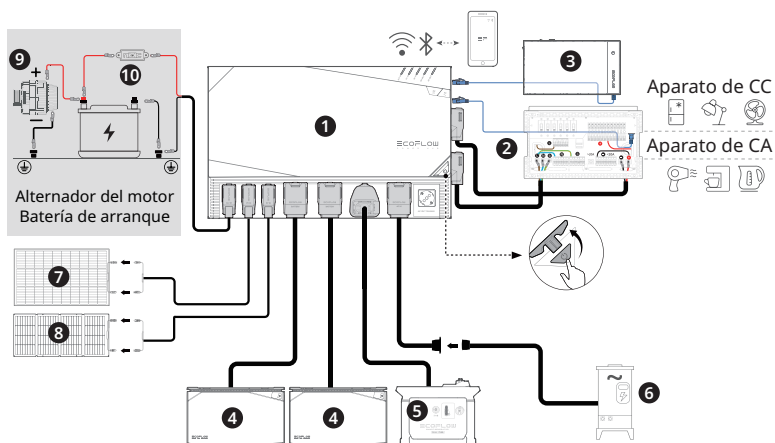
Primeros pasos

Descripción del sistema del producto

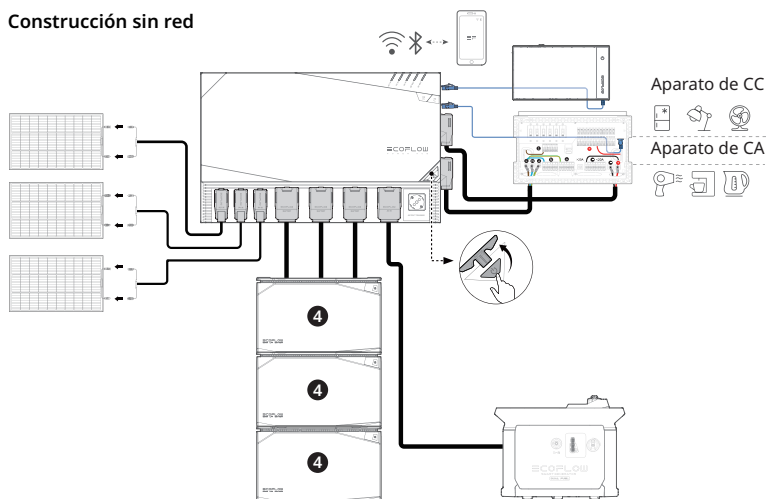


1. Si el producto se instala en un espacio cerrado, es OBLIGATORIO ventilarlo para evitar que el producto se sobrecaliente o se sobrecargue.
2. Por motivos de seguridad, instale un interruptor de circuito de fallo a tierra (GFCI), también conocido como dispositivo de corriente residual (RCD) en la entrada y salida de CA del Power Hub. Consulte la normativa local aplicable a la puesta a tierra de los sistemas de energía autónomos.
3. Antes de conectar este producto a la batería LFP de EcoFlow, asegúrese de que no hay ninguna entrada de carga conectada al Power HUB y que la batería LFP está apagada.
4. No se recomienda utilizar un Power Hub con una EFM100-BPB y EFM100-BP al mismo tiempo..
5. No se recomienda conectar o desconectar la batería LFP cuando el sistema está encendido.

Vehículo recreativo (RV)

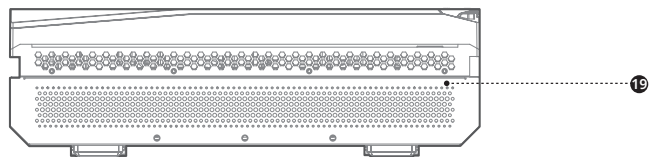
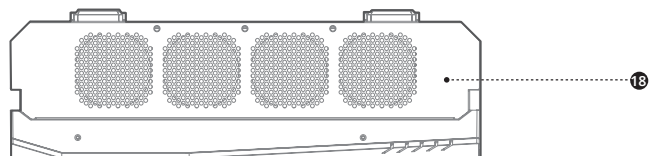
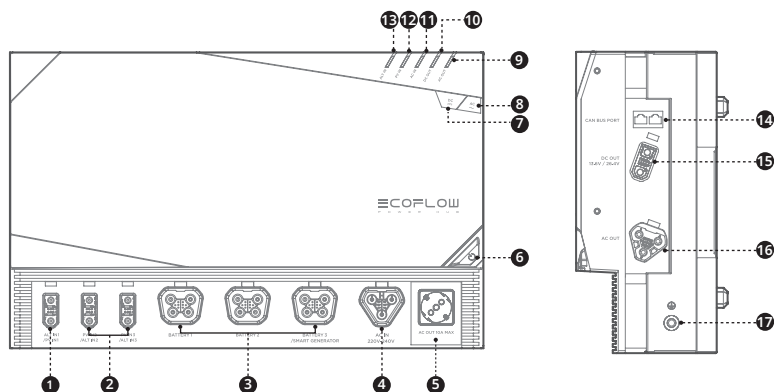


Construcción sin red



1. EcoFlow Power Hub
2. Panel de distribución inteligente de CA/CC
3. Consola del kit de alimentación
4. Batería LFP EcoFlow 5 KWH/2 KWH
5. Generador inteligente EcoFlow
6. Toma de corriente de zona de acampada
7. Panel solar rígido o flexible
8. Panel solar plegable/portátil
9. Alternador de vehículo
10. FUSE-100A (Cómpralo tú mismo)

Descripción de los detalles del producto



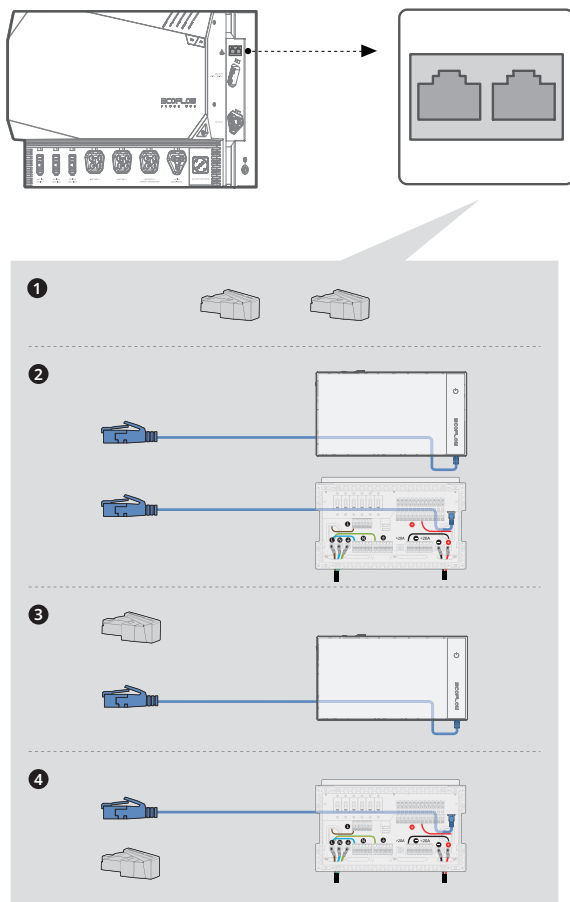
1. Puerto ALT IN / PV IN 1
2. Puerto PV IN / ALT IN 2/3
3. Puerto de la batería 1/2/3 / Puerto del generador inteligente
4. Puerto AC IN
5. Puerto AC OUT (10 A)
6. Botón de encendido

7. Botón DC OUT
8. Botón AC OUT
9. Indicador AC Out
10. Indicador DC Out
11. Indicador AC IN
12. Indicador PV IN
13. Indicador ALT IN

14. Puertos RJ45 CAN BUS COMM
15. Puerto DC Out principal
16. Puerto AC Out principal
17. Perno de tierra
18. Salida de aire
19. Entrada de aire

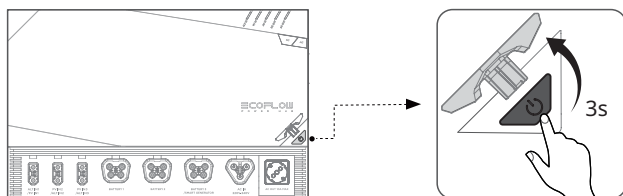
Conexión de terminadores de bus CAN

Para garantizar la calidad de la comunicación, este producto viene con dos puertos de bus CAN RJ45, cada uno de los cuales puede conectarse al panel de distribución inteligente AC/DC, a la consola Power Hub o al terminador de bus CAN RJ45. Ambos puertos deben estar conectados para estabilizar la comunicación en todo el sistema. Si no lo hace, el sistema no funcionará correctamente.



Uso del producto

Encendido/apagado



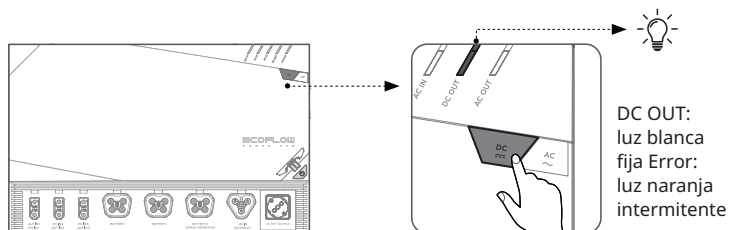
	Cinco indicadores (Esquina superior derecha)	Indicador de alimentación principal
Encendido	Cinco indicadores se iluminan de izquierda a derecha, parpadean 3 veces y permanecen apagados.	Luz de respiración
Apagado	Cinco indicadores parpadean 3 veces y permanecen apagados.	Apagar



1. Espere 5 segundos a que el sistema se apague por completo antes de continuar con la operación después de presionar el botón de apagado.
2. Asegúrese de que no hay ninguna entrada de carga conectada al Power Hub antes de apagar los Power Kits.

Salida de CC

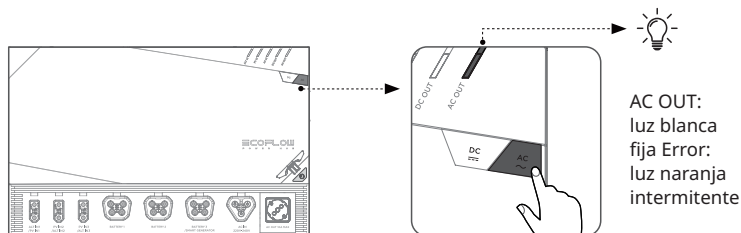
Cuando esté encendido, presione brevemente el botón de CC para activar la salida de CC. Para desactivar la salida de CC, presione brevemente el botón de CC de nuevo.



Salida de CA

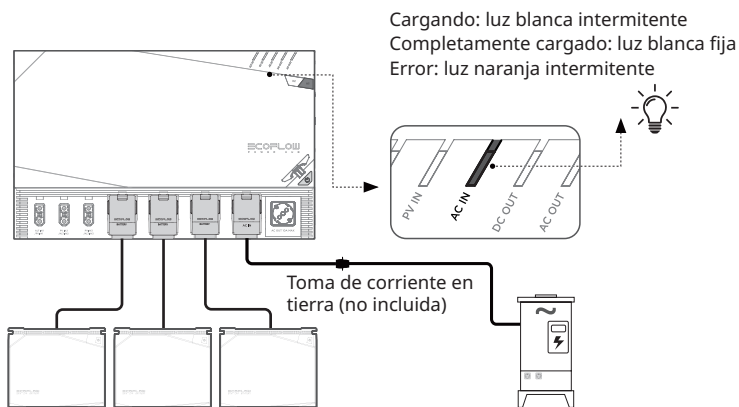
Cuando esté encendido, presione brevemente el botón de CA para activar la salida de CA. Para desactivar la salida de CA, presione brevemente el botón de CA de nuevo.

Cuando Power Hub está en modo inactivo, apague la salida de CA para evitar la pérdida de energía.



Carga de CA

El EcoFlow Power Hub lleva la tecnología de carga rápida EcoFlow X-Stream. La potencia máxima de carga de CA es de 3000 W y la corriente máxima de carga de CA es de 15 A. El usuario puede ajustar la corriente de carga a través de la aplicación EcoFlow o la consola del kit de alimentación. La corriente de carga predeterminada es 10 A.



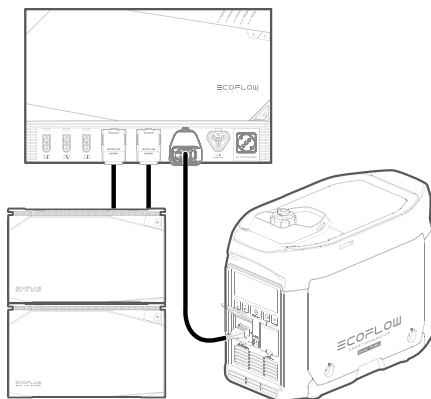
EcoFlow no es responsable de los daños causados por el uso de cables de carga que no proporcione EcoFlow.

Carga del generador inteligente EcoFlow

Los kits de alimentación pueden recargarse utilizando diferentes cables conectados a la salida de CA o CC del generador inteligente EcoFlow.

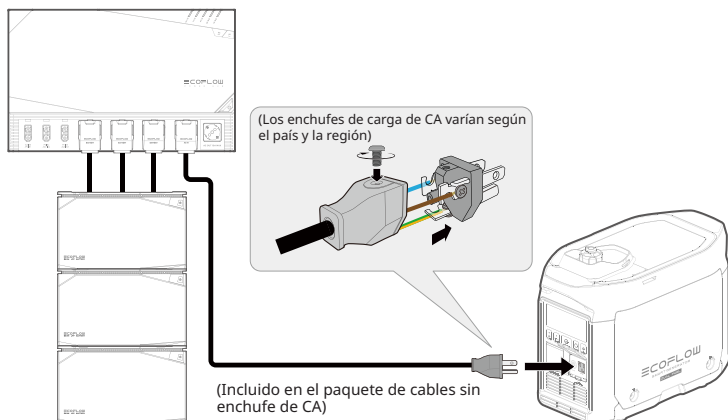
Carga de CC

Conecte el generador inteligente EcoFlow al POWER HUB con el cable de conexión de la batería adicional de 5 m/16.4 pies (El generador inteligente, el cable de carga de CC y el adaptador se venden por separado).



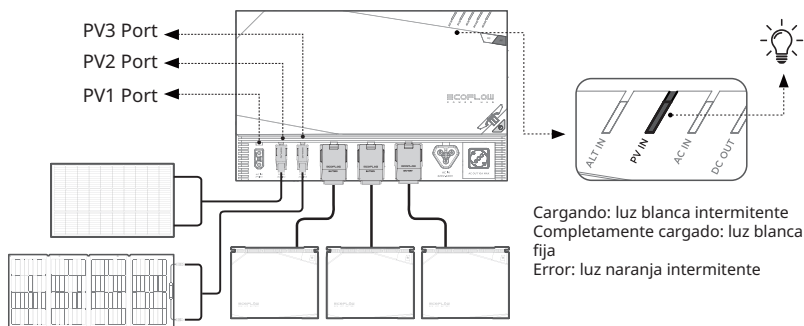
Carga de CA

Conecte el generador inteligente EcoFlow al POWER HUB con el cable de carga de CA.



Carga solar

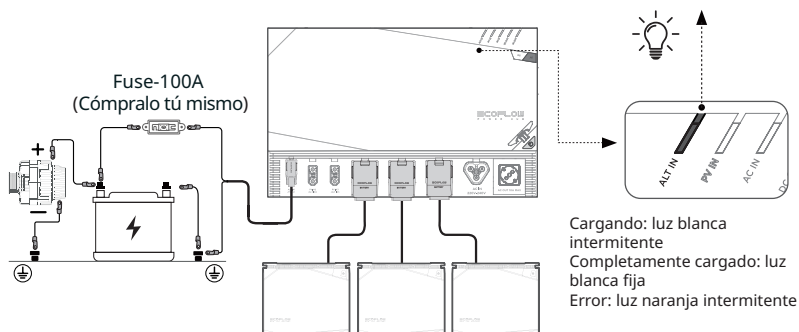
El Power Hub tiene tres puertos de entrada fotovoltaica, con una potencia total de 4800 W para los tres puertos y 1600 W para cada puerto. Se puede utilizar cualquier marca de panel solar siempre que cumpla con las especificaciones de la entrada de carga solar. Para el panel solar rígido o flexible EcoFlow 100w, se pueden conectar hasta 6S3P en cada puerto, para el panel solar rígido EcoFlow 400w, se pueden conectar hasta 4S1P o 2S2P en cada puerto, para el panel solar plegable EcoFlow 400w, se pueden conectar hasta 3S1P o 2S2P en cada puerto. (S: serie, P: paralelo)



Carga de alternador de vehículo

El Power Hub tiene tres entradas de carga del alternador que admiten alternadores de 12V, 24V o 48V. Cada puerto consume 1600W máx. La corriente de carga máxima del puerto ALT IN1 es de 60 A, mientras que la de los otros dos es de 30 A. Solo la corriente de carga de ALT IN1 puede ajustarse a través de la aplicación EcoFlow o la consola del Power Kit.

Se recomienda encarecidamente desenchufar el conector del puerto ALT IN cuando el vehículo no se utilice durante mucho tiempo.



Sistema del alternador del vehículo	Tensión del alternador del vehículo	La carga del alternador se detendrá para proteger la batería de arranque del vehículo de una sobredescarga
12V	<13V	
24V	<26V	
48V	<52V	



1. La carga del alternador del vehículo sólo funcionará cuando el vehículo esté en movimiento. Si se necesita la carga en reposo, el usuario puede alternar el botón de carga en reposo a través de la APP EcoFlow.
2. Conecte el puerto ALT IN1 como prioridad para la carga del alternador del vehículo.



Prioridad de carga múltiple

El Power Hub admite múltiples entradas de carga simultáneamente, y las prioridades de carga son: carga solar, carga de CA, carga del alternador del vehículo y carga del generador inteligente EcoFlow.

La corriente de carga total en el puerto de la batería del Power Hub está limitada a 100A. Cuando la potencia de entrada de carga es mayor que la requerida por la batería, la entrada de carga con menor prioridad reducirá la corriente de carga suavemente o incluso dejará de cargar.

Función X-Boost

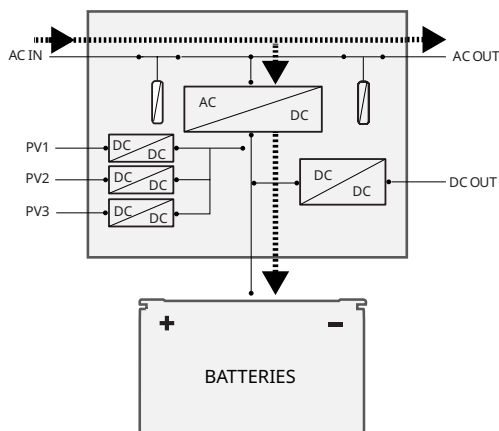
Con la tecnología EcoFlow X-Boost, este producto puede alimentar un dispositivo de 5200W Max (sólo para aparatos de calefacción) mientras que la potencia nominal de salida sigue siendo de 3600W, evitando el fallo de funcionamiento debido a la protección contra la sobrecarga.



1. La función X-Boost no está disponible cuando la salida de CA está en modo de derivación.
2. La función X-Boost no es adecuada para todos los aparatos. Es más adecuada para dispositivos de calefacción y motores. No es adecuada para algunos aparatos con protección de voltaje, como los instrumentos de precisión. El hecho de que un dispositivo sea compatible con la función X-Boost depende de su estado real.

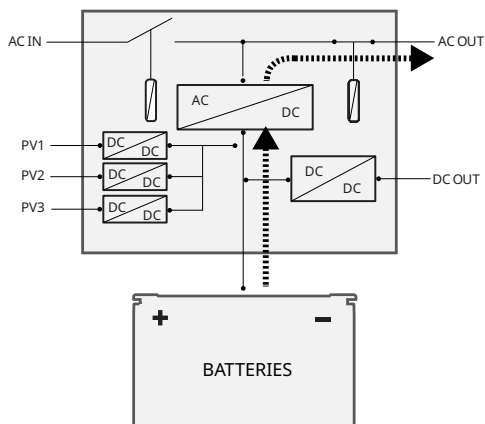
Modo de derivación

Cuando el producto se conecta a la CA externa y la salida de CA se enciende, el sistema entra en modo de derivación. La salida de CA se alimenta de la fuente de alimentación externa y la batería del LFP se carga con la fuente de alimentación externa. Cuando la CA externa no está disponible, este producto se transferirá automáticamente al modo inversor, la salida de CA restablecerá la energía dentro de 30ms.



Modo de inversor

Cuando no hay alimentación de CA externa, el inversor proporciona esa alimentación en la salida de CA.



Modo de espera

Cuando la salida de CA y la salida de CC del producto están continuamente apagadas y no hay entrada de carga durante 20 segundos, entra en modo de espera para reducir el consumo de energía y el sistema puede despertarse pulsando el botón DC OUT o AC OUT.



Power HUB no entra en el modo de espera cuando se actualiza el firmware.

Preguntas frecuentes

1. ¿Puedo conectar paneles fotovoltaicos que no sean de ECOFLOW?

Sí, el Power hub tiene tres entradas de carga fotovoltaica independientes, y los usuarios pueden elegir cualquier marca y modelo de panel fotovoltaico.

2. ¿Dónde se puede utilizar este producto?

Se puede utilizar, entre otros lugares, en hogares, autocaravanas y cabañas.

3. ¿Los parámetros de entrada y salida de este producto se aplican a los estándares de uso de electricidad de todos los países?

Sí. Hay disponibles versiones de este producto de alta y baja tensión, que cubren los estándares de uso de electricidad de todos los países.

4. ¿Cuáles son los métodos de carga y descarga de este producto?

Los métodos de carga son: carga de CA, carga del alternador del vehículo, carga del generador inteligente y carga solar. El método de descarga es la salida de CA/CC.

5. ¿Qué dispositivos se pueden conectar al puerto de salida de CA de este producto?

La potencia nominal del puerto de salida de CA de este producto es de 3600 W y la potencia de sobretensión es de 7200 W. Puede suministrar energía a la mayoría de los electrodomésticos. Sin embargo, le recomendamos que confirme la potencia de los aparatos antes de usarlos y se asegure de que la potencia total de todos los dispositivos cargados sea inferior a la potencia nominal.

6. ¿Cómo se limpia este producto?

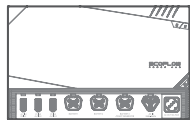
Utilice un paño seco, suave y limpio o una toalla de papel para limpiar el producto.

7. ¿Cómo se guarda este producto?

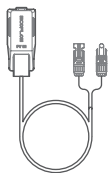
Antes de guardarlo, apague el producto y luego colóquelo en un lugar interior seco y bien ventilado. No coloque este producto cerca de una fuente de agua.

Contenido de la caja

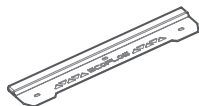
Power HUB ×1



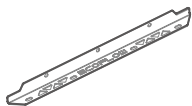
Cable de carga solar (6 metros/20 pies) ×1



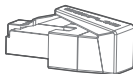
Kit de montaje (posterior) × 1



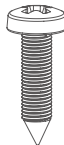
Kit de montaje (Top / inferior) × 2



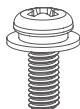
Terminador de bus CAN RJ-45 × 2



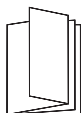
M5*20 (13 piezas)



M5*10 (8 piezas)



Manual de usuario × 1
Tarjeta de garantía × 1
Guía de inicio rápido ×1



CUIDADO Y MANTENIMIENTO

1. Utilice o guarde este producto en un entorno con una temperatura que oscile entre $-25\text{ }^{\circ}\text{C}$ ($-13\text{ }^{\circ}\text{F}$) y $60\text{ }^{\circ}\text{C}$ ($140\text{ }^{\circ}\text{F}$) y manténgalo alejado de fuentes de agua, fuentes de calor y objetos metálicos. $-25\text{ }^{\circ}\text{C}$ a $60\text{ }^{\circ}\text{C}$ ($-13\text{ }^{\circ}\text{F}$ a $140\text{ }^{\circ}\text{F}$)
2. Por motivos de seguridad, no guarde este producto en un entorno donde la temperatura sea superior a $45\text{ }^{\circ}\text{C}$ ($113\text{ }^{\circ}\text{F}$) ni inferior a $0\text{ }^{\circ}\text{C}$ ($32\text{ }^{\circ}\text{F}$) durante mucho tiempo.

Declaración de la FCC

Este dispositivo cumple con la Parte 15 de las Normas de la FCC. La operación está sujeta a las siguientes dos condiciones:

- (1) Este dispositivo no puede causar interferencia dañina y
- (2) Este dispositivo debe aceptar cualquier interferencia recibida, incluida la interferencia que pueda provocar un funcionamiento no deseado.

Advertencia: Los cambios o modificaciones no aprobados expresamente por la parte responsable del cumplimiento podrían anular la autoridad del usuario para operar el equipo.

NOTA: Este equipo se ha probado y se determinó que cumple con los límites para un dispositivo digital Clase A, de conformidad con la parte 15 de las Reglas de la FCC. Estos límites se han diseñado para proporcionar una protección razonable contra interferencias dañinas cuando el equipo funciona en un entorno comercial. Este equipo genera, usa y puede irradiar energía de radiofrecuencia y, si no se instala y usa de acuerdo con el manual de instrucciones, puede causar interferencias dañinas en las comunicaciones por radio. Es probable que el uso de este equipo en un área residencial cause interferencias perjudiciales, en cuyo caso el usuario deberá corregir la interferencia por su propia cuenta.

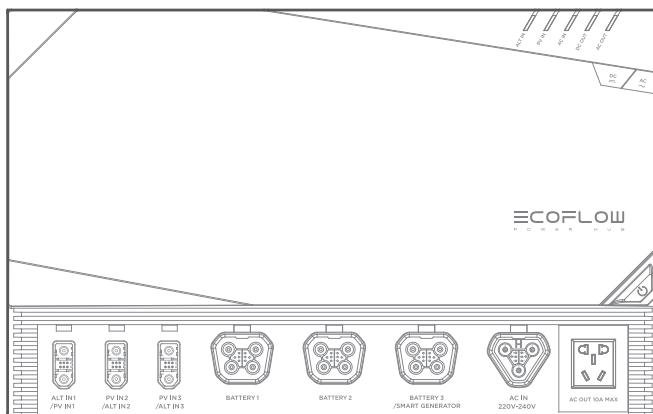
Declaración de exposición a la radiación de la FCC:

Este equipo cumple con los límites de exposición a la radiación de la FCC establecidos para un entorno no controlado. Este equipo debe instalarse y usarse a una distancia mínima de 20 cm entre el radiador y su cuerpo.

≡COFLOW

智控五合一充逆一体机

用户手册 V1.2



EFM100-HUB

免责声明

在使用前，请阅读本产品的用户手册，以保证在完全理解后正确使用。阅读后，请将用户手册妥善保管以备日后参考。如果没有正确操作本产品，您可能会对自身或他人造成严重伤害，或者导致产品损坏和财产损失。一旦使用本产品，即视为您已理解、认可和接受本文档全部条款和内容。

EcoFlow 不承担因用户未按《用户手册》使用产品所引发的一切损失。

在遵从法律法规的情况下，本公司享有对本文档及本产品所有相关文档的最终解释权。如有更新、改版或终止，恕不另行通知，请访问 EcoFlow 官方网站以获取最新的产品信息。

目录

参数规格	1
安全指引	2
EcoFlow App	3
新手指南	3
系统概览	3
产品外观	5
连接 RJ45 终端器	6
产品使用	7
开机 / 关机	7
直流输出	7
交流输出	8
交流充电	8
EcoFlow 智能发电机充电	9
太阳能充电	10
行车发电机充电	11
X-Boost 功能	11
旁路模式	12
逆变模式	12
待机模式	13
常见问题	13
包装清单	14
维护与保养	14

参数规格

基本信息

净重	14 kg
尺寸 (L x W x H)	48 cm x 14 cm x 30 cm
Wi-Fi	支持 (<120 m)
蓝牙 (v4.0)	支持 (<15 m)

输出规格

交流输出	纯正弦波, 3600 W (峰值 7200 W, 100 ms), 220 V, 50 Hz 当 40°C < 环境温度 < 60°C 时, 输出功率线性降额至 1800 W 当电池电压 < 49 V 时, 输出功率降额至 3000 W
X-Boost 支持的 最大交流输出功率	5200 W
直流输出	13.6 V 70 A, 最大功率 1000 W 或 26.4 V 60 A, 最大功率 1600 W

输入规格

交流输入功率	X-Stream 快充最大功率 3000 W, 最大电流 15 A
交流输入电压	220-240 V, 50 Hz/60 Hz
行车发电机充电输入接口 2/3 太阳能充电输入接口 2/3	13-60 V 30 A, 最大功率 1600 W 15-60 V 30 A, 最大功率 1600 W
行车发电机充电输入接口 太阳能充电输入接口 1	13-60 V 60 A, 最大功率 1600 W 15-60 V 30 A, 最大功率 1600 W

电池接口规格

电池接口 (x3)	40-60 V 100A, 支持最多三个 2kWh 或 5kWh LFP 电池包 (单独出售) 本产品不支持同时使用 EFM100-BPB 和 EFM100-BP 电池包
-----------	--

使用环境

使用温度	-25° C to 60° C
储存温度	-25° C to 60° C

其他

EcoFlow 智能发电机	最大充电功率 1800W, 单独出售
---------------	--------------------



安全指引

1. 请仔细阅读本手册 - 本手册包含重要的安全和操作说明。阅读后请妥善保存，以备后用。
2. 在使用电池充电器功能之前，请阅读充电器、电池和使用电池的产品的所有说明和警告性标志。
3. 只对 LiFePO4 型可充电电池充电。对其他类型的电池充电可能会有爆裂风险，造成人身伤害和财产损失。
4. 这是一种安全防电击保护为 I 类的产品（配有保护接地端子）。必须在交流输入或输出端进行可靠接地。或者，可以使用产品外部的接地点。当接地保护可能已损坏时，必须关闭产品并确保其不会意外操作；请联系产品售后作进一步处理。
5. 为了防止火灾、短路或电击，严禁将设备安装在潮湿、高温，含有导电污染物的环境中。
6. 安装设备前，请断开总电源，严禁带电作业。
7. 严禁将本产品靠近热源，如火源或加热炉。
8. 严禁让本产品接触任何液体，请勿将本产品浸入水中或将其弄湿。切勿在雨中或者潮湿的环境中使用本产品。
9. 禁止在强静电或者强磁场环境中使用本产品。
10. 禁止以任何方式拆解或用尖利物体刺破本产品。
11. 禁止用导线或其它金属物体致使本产品短路。
12. 请勿使用非官方提供的部件或配件。如需更换，请到 EcoFlow 官方销售渠道查询相关购买信息。
13. 使用本产品时，请严格遵循本用户手册的使用环境温度。
14. 禁止在本产品上堆放其他重物。
15. 禁止在使用过程中强行堵转风扇，或让本产品处于不通风或多尘的空间内。
16. 请避免撞击，跌落，剧烈震动，如出现严重外力冲击，请立即停止使用并关闭电源。运输时请固定好，避免震动与撞击。
17. 如果在使用过程中意外令产品坠入水中，请将其置于安全的开阔区域，远离产品直至产品完全晾干。晾干的产品不得再次使用，应按照 EcoFlow 电池说明书废弃章节的方法妥善处理。若产品起火，请按以下推荐顺序使用灭火器材：水或水雾、沙、灭火毯、干粉、二氧化碳灭火器。
18. 如果本产品接口有污物，请使用干布擦拭干净。
19. 请将本产品存放在儿童和宠物不能接触的地方。

EcoFlow App



你可以通过正浩 EcoFlow 中文版 App 连接本产品，查看信息，控制设备，并进行个性化设置。



欢迎关注正浩 EcoFlow 官方微信公众号，获取 App 下载链接，了解正浩的最新产品及活动。



1. 本产品蓝牙只支持连接一个 EcoFlow App 账号，若需要通过另一个账号连接该产品，可通过 App 或者长按该产品的 DC 按键 3 秒重置蓝牙。
2. 本产品仅支持 2.4G Wi-Fi。

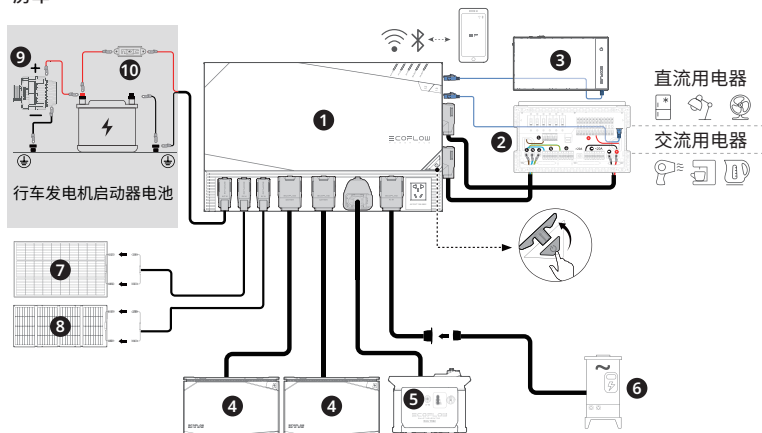
新手指南

系统概览

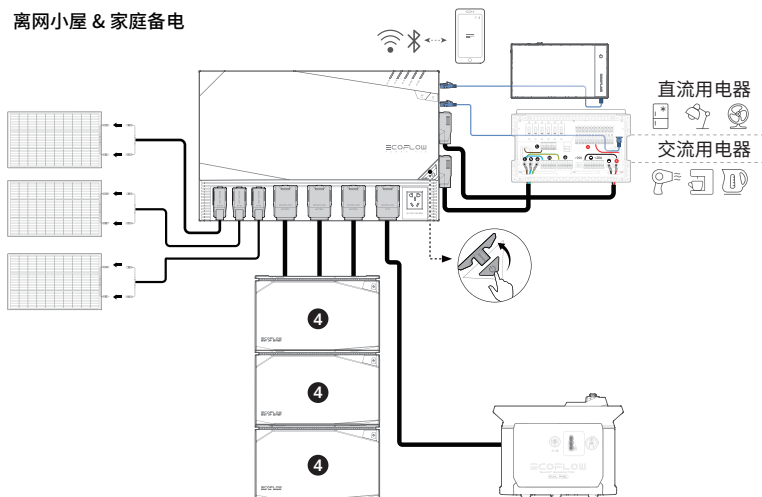


1. 本产品必须安装在通风良好的环境中，以防过热。
2. 出于安全考虑，建议在本产品的交流输入和交流输出端安装接地故障电路断路器 (GFCI)，也称为漏电流检测装置 (RCD)。请参考当地关于自主电源系统接地的规定。
3. 连接 EcoFlow LFP 电池之前，请确保无充电输入源连接本产品，并且 LFP 电池处于关机状态。
4. 本产品不支持同时使用 EFM100-BPB 和 EFM100-BP 电池包。
5. 请勿在本产品充放电过程中直接连接或移除 LFP 电池包，如需中途连接或移除电池包，请在关机后操作。

房车



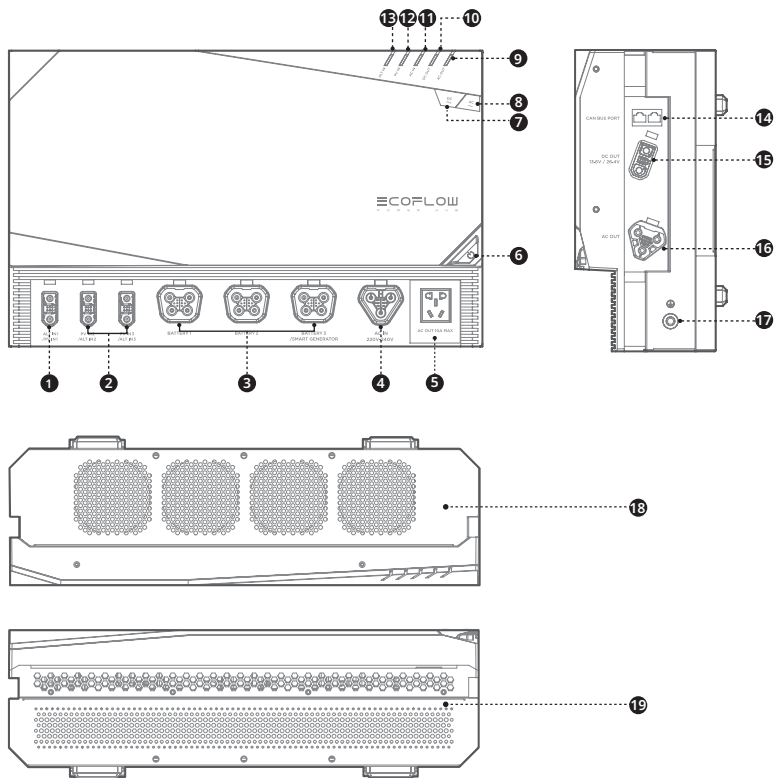
离网小屋 & 家庭备电



1. 智控五合一充逆一体机
2. 智能配电箱
3. 智触监控屏
4. EcoFlow 磷酸铁锂电池 (2 度电 /5 度电)
5. EcoFlow 智能发电机

6. 市电
7. 刚性 / 柔性太阳能板
8. 可折叠 / 便携式太阳能板
9. 行车发电机
10. 保险丝 -100A (自行购买)

产品外观



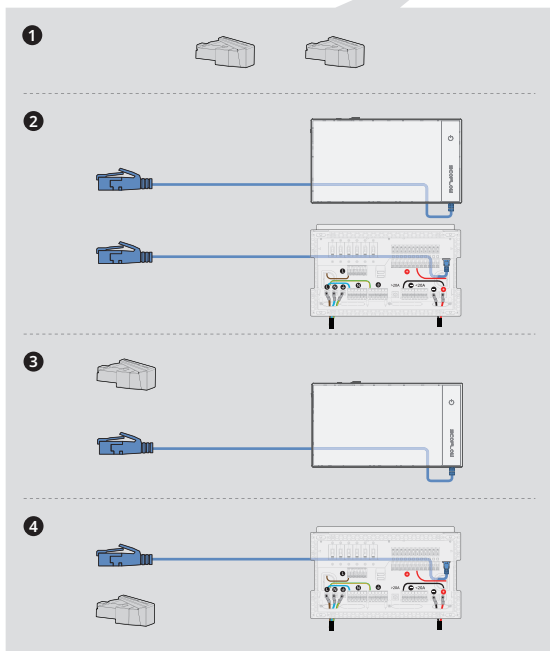
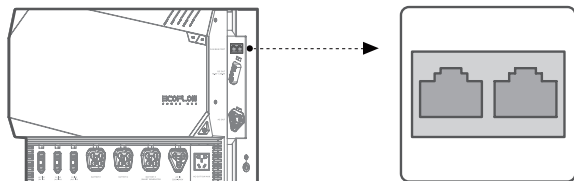
1. 行车充电输入接口 1/
太阳能充电输入接口 1
2. 太阳能充电输入接口 2/3
行车充电输入接口 2/3
3. 电池接口 1/2/ 3/
EcoFlow 智能发电机接口
4. 交流输入接口
5. 交流输出接口 (10A)

6. 主电源开关
7. 直流输出开关
8. 交流输出开关
9. 交流输出指示灯
10. 直流输出指示灯
11. 交流输入指示灯
12. 太阳能充电输入指示灯
13. 行车充电输入指示灯

14. RJ45 模块通信接口
15. 直流主输出接口
16. 交流主输出接口
17. 接地螺丝
18. 出风口
19. 进风口

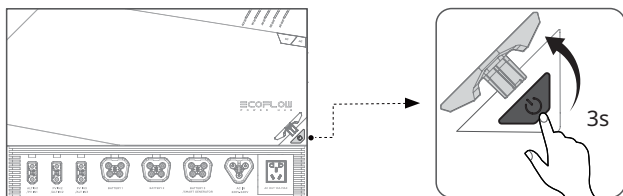
连接 RJ45 终端器

为了确保通信质量，本产品配备两个模块通信端口，每个接口都可以连接智能配电箱、智触监控屏或 RJ45 终端器，两个端口都必须连接以稳定整个系统的通信，否则会导致系统发生故障。



产品使用

开机 / 关机



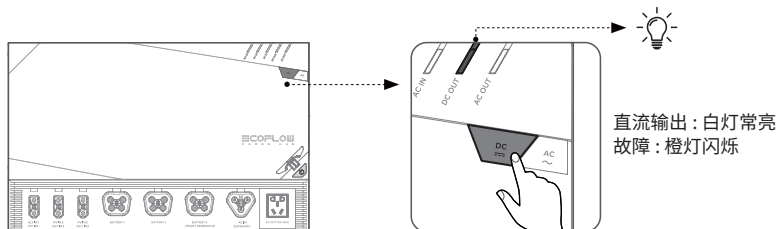
	指示灯 (产品右上角)	主电源指示灯
开机	五个指示灯从左到右亮起, 同时闪烁 3 次后保持关闭状态。	呼吸
关机	五个指示灯同时闪烁 3 次后关闭。	关闭



1. 按下主电源按钮后, 请等待 5 秒钟, 以确保系统完全关闭, 然后再进行下一步操作。
2. 在关闭系统电源前, 请确保无充电输入源连接本产品。

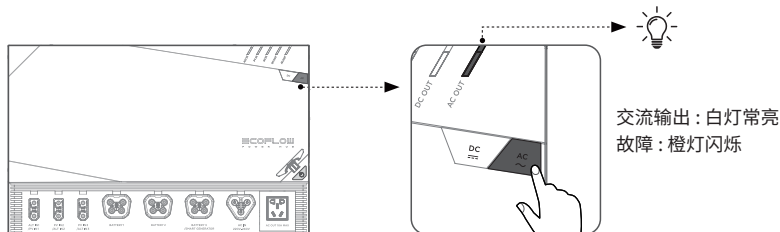
直流输出

当电源打开时, 短按 DC 按钮, 开启直流输出。关闭直流输出, 请再次短按 DC 按钮。



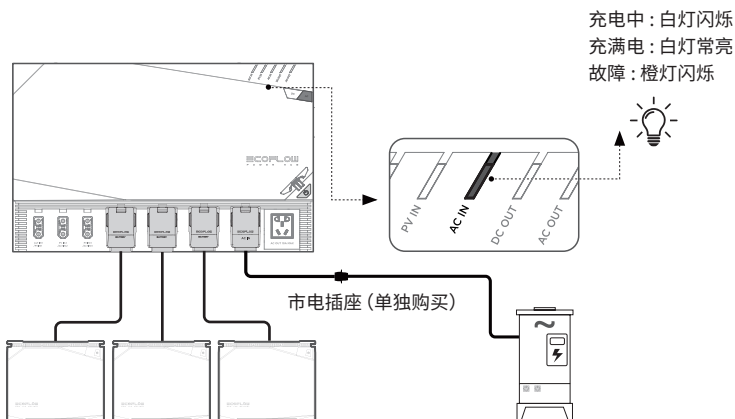
交流输出

当电源打开时，短按 AC 按钮，启用交流输出。关闭交流输出，请再次短按 AC 按钮。
当本产品空闲时，请关闭交流输出，以避免电力损失。



交流充电

本产品交流充电采用 X-Stream 快充技术，快速充电最大输入功率可达 3000 W，最大输入电流为 15 A。用户可通过 EcoFlow App 或者智触监控屏调整充电电流值，默认的充电电流为 10 A。



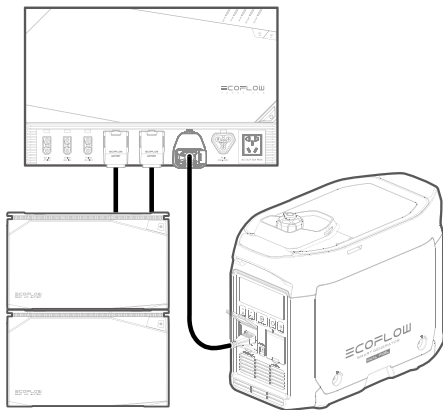
对于使用非 EcoFlow 提供的充电线所造成的损失，EcoFlow 不承担责任。

EcoFlow 智能发电机充电

电源系统可以通过使用不同的电缆连接到 EcoFlow 智能发电机的交流或直流输出端来进行充电。

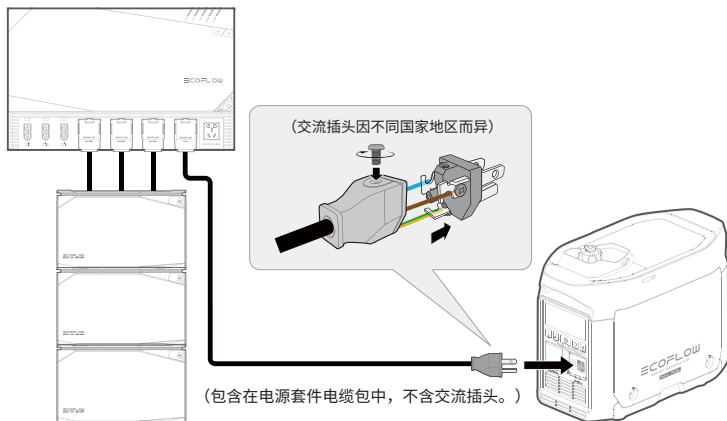
直流充电

使用智能发电机充电线将 EcoFlow 智能发电机连接到本产品（智能发电机、直流充电线和适配器单独出售）。



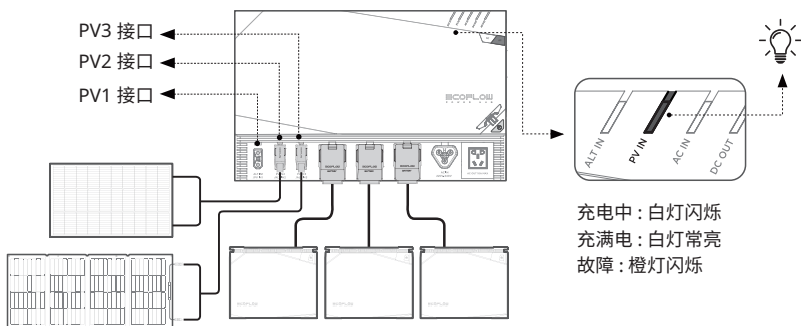
交流充电

使用交流充电线将 EcoFlow 智能发电机连接到本产品。



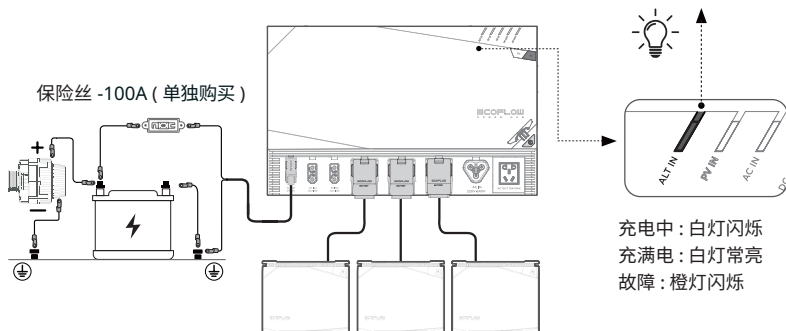
太阳能充电

本产品有三个光伏充电的输入接口，每个光伏接口充电功率最大 1600 W，三个光伏接口总功率最大为 4800 W。只要符合太阳能充电输入的规格，任何品牌的太阳能板都可以使用。对于 EcoFlow 100w 刚性或柔性太阳能板，每个端口最多可以连接 6 串 3 并；对于 EcoFlow 400w 刚性太阳能板，每个端口最多可以连接 4 串 1 并，或 2 串 2 并；对于 EcoFlow 400w 折叠式太阳能板，每个端口最多可以连接 3 串 1 并，或 2 串 2 并。



行车发电机充电

本产品有三个支持 12V、24V 或 48V 行车发电机充电接口，每个接口的最大功率为 1600W，ALT IN1 端口的最大充电电流为 60A，其他两个端口为 30A，只有 ALT IN1 的充电电流可以通过 EcoFlow App 或智触监控屏调整。建议在车辆长时间不使用时，拔掉行车充电线。



车辆发电机系统	车辆发电机电压	行车充电将会停止， 以免车辆启动电瓶亏电
12V	<13V	
24V	<26V	
48V	<52V	



1. 只有当本产品检测到车辆正在行驶时，行车充电才能正常工作。如需在车辆停止的怠速状态下充电，则需要通过 EcoFlow APP 开启怠速充电。
2. 优先连接 ALT IN1 接口进行行车充电。



充电优先级

Power HUB 支持多个充电输入源同时工作，充电优先级依次为：太阳能充电、交流充电、行车发电机充电、EcoFlow 智能发电机充电。

HUB 的电池端口输出总电流限制为 100A，当充电功率大于电池所需功率时，优先级低的输入源将停止工作或降电流工作。

X-Boost 功能

本产品支持 X-Boost 功能，为额定功率 5200 W 以内的设备供电时，不会因过载保护而造成设备无法工作。本产品最大支持 5200 W 的设备，此时额定输出功率仍为 3600W。

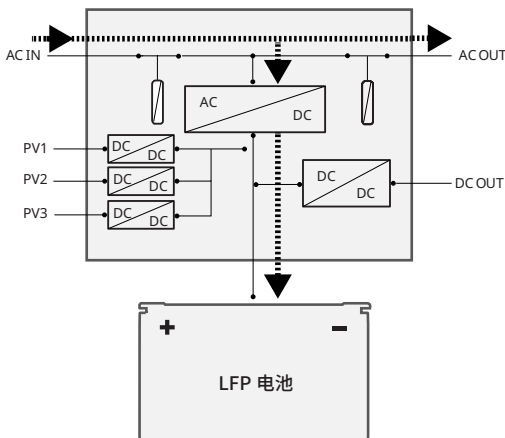


1. 在以下情况下 X-Boost 功能不可用：充电状态下打开交流输出（此时为旁路模式）。
2. X-Boost 功能不适用于所有电器，某些具有严格电压要求的额定功率大于 3600W 的电器仍不兼容。X-Boost 功能更适用于加热类和电机类设备，某些搭载电压保护的电器（例如精密仪器等）不适用于 X-Boost 功能。要确认设备是否可以使用 X-Boost 功能，请以实际测试为准。

旁路模式

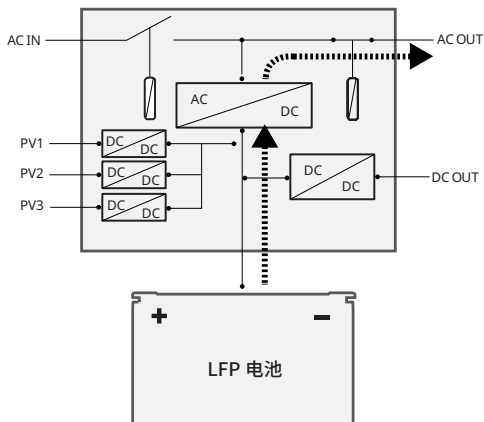
当本产品连接外部交流源，且开启交流输出时系统即进入旁路模式。交流输出由外部交流电源提供，LFP 电池也由外部交流电源为其充电。

当外部交流源不可用时，系统将自动转为逆变模式，交流输出将在 30ms 内恢复供电。



逆变模式

当外部交流电源不可用时，系统将进入逆变模式。交流输出由 LFP 电池提供。



待机模式

当产品的交流输出和直流输出持续处于关闭状态，且无充电输入达 20 秒，即进入待机模式，以减少功耗，按 DC OUT 或者 AC OUT 按钮可以唤醒系统。



当固件升级时，本产品不会进入待机模式。

常见问题

1. 我可以连接非 ECOFLOW 的光伏板吗？

可以，本产品有三个独立的光伏充电输入接口，用户可以自由选择任何品牌和型号的光伏板。

2. 本产品可以应用于哪些场景？

使用场景包括但不限于家庭备电、房车、离网小屋等。

3. 本产品是否适用于所有国家和地区？

是的，本产品分为低压版本和高压版本，涵盖了所有国家的用电标准。

4. 本产品的充电和放电方式有哪些？

充电方式：交流充电、行车发电机充电、EcoFlow 智能发电机充电和太阳能充电。

放电方式：交流输出、直流输出。

5. 本产品交流输出口能给什么设备供电？

本产品的交流输出口额定功率为 3600 W，峰值功率 7200 W，可以给大多数家用电器供电，但在使用前建议您确认电器的功率大小，并确保所有负载设备功率之和小于额定功率。

6. 如何清洁本产品？

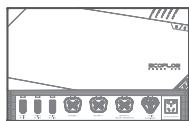
使用干燥、柔软和干净的布或纸巾擦拭本产品上的灰尘、污垢或水。

7. 如何储存本产品？

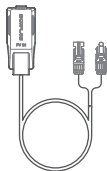
在存储之前，请关闭产品的电源，然后将其存储在干燥和通风良好的室内环境中。不要把本产品放在靠近水源、热源的地方。

包装清单

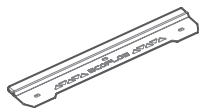
智控五合一充逆一体机 × 1



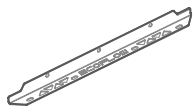
太阳能充电线 (6m) × 1



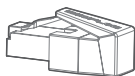
安装套件 (背面) × 1



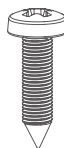
安装套件 (顶部 / 底部) × 2



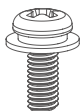
RJ45 终端器 × 2



M5*20 (13pcs)



M5*10 (8pcs)



用户手册 × 1
保修卡 × 1
快速入门指南 × 1



维护与保养

1. 推荐在 -25°C 至 60°C 环境下使用或存储本产品，远离水源、热源，以及其他金属物件。
2. 安全起见，请勿将本产品长期存储在高于 45°C 或者低于 0°C 的环境中。

≡COFLOW



Ecoflow App