

NSB 210FT *Blue + Battery*[®]

Designed for demanding telecom applications



The proven performance of *Blue Star Technology*[®] now enhanced to deliver **more power, high cycling and fast recharge**

- + 2 year shelf life
- + Ideal for demanding environments with unstable AC power
- + High cycling and fast recharge performance
- + High potential fuel savings when used with hybrid genset applications
- + Modified electrochemistry delivers high capacity and high power density
- + 10 year float life at 25°C (77°F)
- + Operating temperature range -40°C to +65°C
- + High modulus Polyphenylene Oxide (PPO) plastic materials designed to withstand extended elevated operating temperatures
 - Non-halogenated, thermally sealed plastic casing
 - Flame retardant (UL 94 V0) and LOI of at least 28%
- + Partial State of Charge (PSOC) cycling technology

Visit our website to find out more www.northstarbattery.com



NSB 210FT Blue+ Battery®

Nominal Technical Specifications



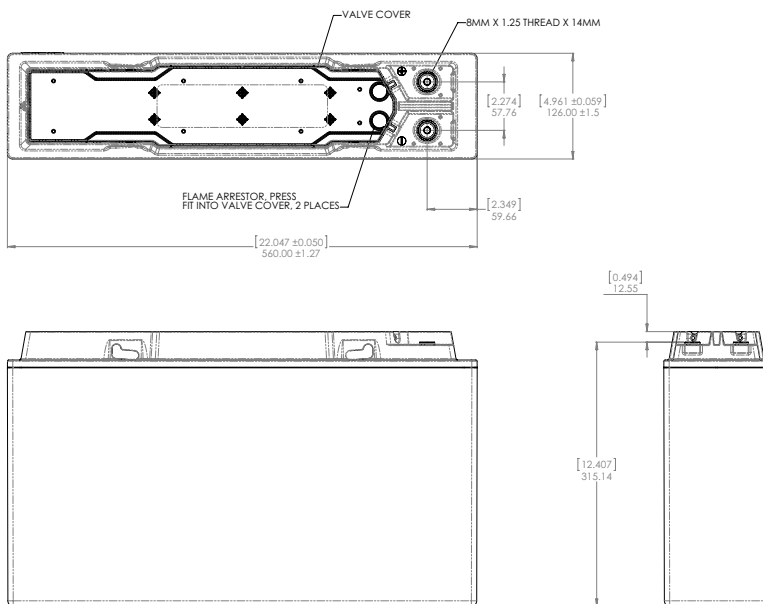
Electrical

| | |
|--|---------------------------------|
| 10 hour capacity to 1.80 VPC @ 25°C (77°F) | 200 Ah |
| 8 hour capacity to 1.75 VPC @ 25°C (77°F) | 198 Ah |
| 10 hour capacity to 1.80 VPC @ 20°C (68°F) | 197 Ah |
| Float Voltage | 2.29 +/- 0.02 VPC @ 25°C (77°F) |
| Nominal Voltage | 12 V |
| Impedance (1kHz) | 2.6 mΩ @ 25°C (77°F) |
| Conductance | 2,211 |
| Short Circuit Current | 3,300 A |
| Maximum Charge Current | no limit |

Dimensions

| | | | |
|--------|------------------|-----------------|--------------------|
| Height | 328 mm (12.9 in) | Weight | 69 kg (152 lbs) |
| Width | 126 mm (4.96 in) | Terminal | Female M8 x 1.25 |
| Depth | 560 mm (22.0 in) | Terminal Torque | 8.0 Nm (71 in-lbs) |

Drawings



All NorthStar batteries are compliant with: Telcordia SR4228, IEC 60896; Bellcore GR-63-Core, Issue 1; British, German, and Russian telecom standards; UL approved. NorthStar is registered to ISO 9001 and ISO 14001.

NorthStar Americas
NorthStar Battery Company LLC
4000 Continental Way
Springfield, MD, 65803,
United States of America
info@northstarbattery.com
Tel: +1 417 575 8200
Fax: +1 417 575 8250

NorthStar Europe
SiteTel Sweden AB
Staffans Väg 8
SE-192 07 Sollentuna,
Stockholm, Sweden
europe@northstarbattery.com
Tel: +46 8 410 102 00
Fax: +46 8 638 06 00

NorthStar Middle East, Africa
SiteTel Sweden AB JTL Branch
Office 702, Saba 1 Tower
Jumeirah Lake Towers, Dubai
United Arab Emirates
mea@northstarbattery.com
Tel: +971 4 423 8060
Fax: +971 4 423 8061

NorthStar Asia-Pacific
NS Asia Pacific Sdn. Bhd.
B2-3A-13A, Solaris Dutamas
No. 1, Jalan Dutamas 1, 50480
Kuala Lumpur, Malaysia
asia@northstarsitetel.com
Tel: +60 3 6419 0711

www.northstarbattery.com

