

HF1-IP

Main features:

Integrated battery discharge indicator

Fan less design

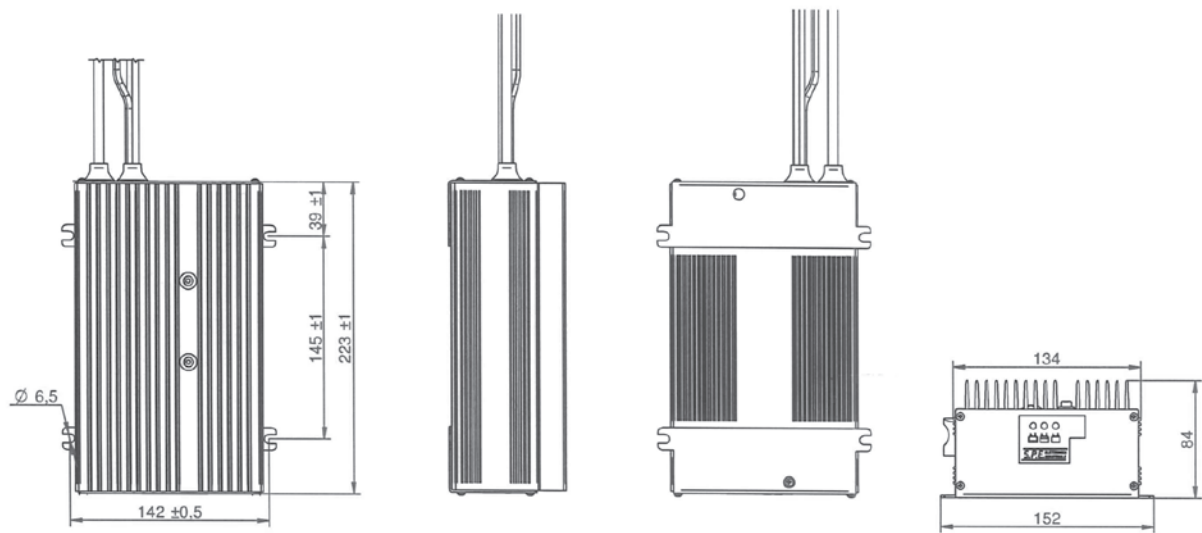
IP 55 (optional IP65)

Power from 155W up to 240W

Current from 10A to 13A

APPLICATIONS





DIMENSIONS (LxWxH): 152x225x84 mm – 5.98x8.86x3.31 in

WEIGHT: 3,00 Kg - 6.61 lbs

PROTECTION GRADE IP55

INPUT VOLTAGE: Universal 100 ÷ 240 Vac – 50-60 Hz

Battery Voltage	Battery Range		Charging Current	Model
	5h	20h		
12V	60 ÷ 100 Ah	70 ÷ 130 Ah	10A	12-10
	80 ÷ 130 Ah	90 ÷ 150 Ah	13A	12-13
24V	60 ÷ 100 Ah	70 ÷ 130 Ah	10A	24-10