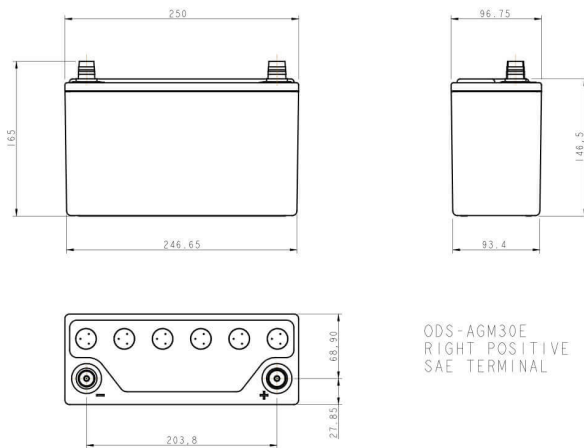


## Drawings & Terminal Position



## Handling and Storage

- Can be mounted or stored in any orientation except inverted
- 2-years storage life at 68°F (20°C) without needing to charge. Recharge when the OCV is <12.6V (50% SOC).
- Classified as non-spillable and approved as non-hazardous cargo for ground, sea and air transportation in accordance with the requirements of IMDG (International Maritime code for Dangerous Goods) and ICAO (International Civil Aviation Organisation)

## Charging and Self-Discharge

|  |                |
|--|----------------|
| Type of charging curve                   | IUU            |
| Charger voltage at 68°F (20°C)           | 14.4V to 14.8V |
| Self-discharge per month at 68°F (20°C)  | 1.25%          |
| Self-discharge per month at 104°F (40°C) | 5%             |
| 80% depth of discharge cycles            | 400            |

## Technical Data Sheet

### ODS-AGM30E

(PC950)

#### Battery Type

- Up to 400 cycles at 80% depth of discharge
- Absorbed Glass Mat (AGM) with Thin Plate Pure Lead (TPPL)
- Advanced dual purpose battery for engine start and deep cycle use

#### Power and Performance

|   |          |
|---|----------|
| Voltage                                   | 12V      |
| Pulse (5 second) Hot Cranking Amps (PHCA) | 950A     |
| Cold Cranking Amps (CCA)                  | 400A     |
| HCA                                       | 600A     |
| MCA                                       | 500A     |
| 20Hr Nominal Capacity (Ah)                | 34Ah     |
| 10Hr Nominal Capacity (Ah)                | 32Ah     |
| Reserve Capacity Minutes                  | 60 mins  |
| Terminal                                  | M6 Stud  |
| Torque Spec in-lbs (Nm max)               | 35 (3.9) |
| Internal Resistance (mΩ)                  | 7.1 mΩ   |
| Short Circuit (A)                         | 1700A    |

#### Dimensions and Weight

|                             |                 |
|-----------------------------|-----------------|
| Length                      | 9.8 in / 249 mm |
| Width                       | 3.8 in / 97 mm  |
| Height (terminals included) | 6.1 in / 155 mm |
| Height (container)          | 5.8 in / 147 mm |
| Weight                      | 20 lbs / 9.1 kg |

#### Temperature

|                             |                                |
|-----------------------------|--------------------------------|
| Operating temperature range | -40°F / -40°C to 113°F / +45°C |
| Optimum storage temperature | 68°F / +20°C                   |

#### Accreditations

The management systems governing the manufacture of this product are ISO 9001 and ISO 14001 certified.

\*Cold Start Performance S.A.E J537 Apr 2016



**EnerSys World Headquarters**  
2366 Bernville Road  
Reading, PA 19605, USA  
Tel: +1-800-964-2837

**EnerSys EMEA**  
EH Europe GmbH  
Baarerstrasse 18  
6300 Zug, Switzerland

**EnerSys Asia**  
152 Beach Road  
#11-08 Gateway East  
Building  
Singapore 189721  
Tel: +65 6416 4800

Want more info?  
Scan code to access  
the ODYSSEY® Battery  
Literature Library

